

# Series AVF

**For use with 3mm to 9.2mm or larger broadcast fiber optic cable.**

- Designed for Tactical Fiber and Hybrid Fiber cable types.
- Quality construction designed for harsh outdoor environments.
- Non-reflective black matte finish is standard.
- External and/or internal drum storage with protective rubber grommet for easy access to lead out cable, while keeping dirt and debris out.
- Crank handle permanently attached to disc.
- Equipped with cam-lock drag brake system

**AVF-14**

- Lightweight aluminum construction, under 10 lbs., for easy transport and handling.
- Modular frame style, handle and legs can be replaced in the event of damage.

**AVF-18**

- Durable aluminum/steel construction, under 25 lbs.
- Holds 1000 feet of SMPTE Cable.
- Frame style with clips allow multiple reels to be stacked.
- Optional heavy-duty, locking caster wheels (set includes 2 locking and 2 non-locking casters). Specify when ordering, add "C" to model number.
- Optional pull handle is available (Part No. 9949.0500). Specify when ordering.



**AVF-14**  
Standard configuration shown



**AVF-18C**

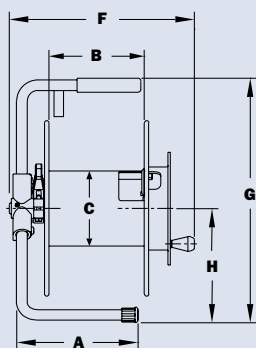
Standard configuration shown with optional casters.  
Inset: AVF-18 Shown stackable with pull handle



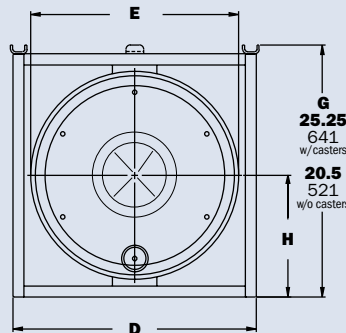
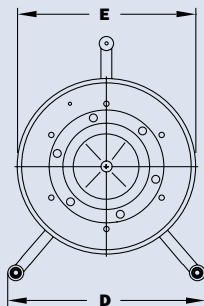
**AVF Series includes two durable rubber twist ties for cable ends.**  
Part No. 9949.0082

**PARTS DRAWING – AVF-14–ISO 261, AVF-18–ISO 262**

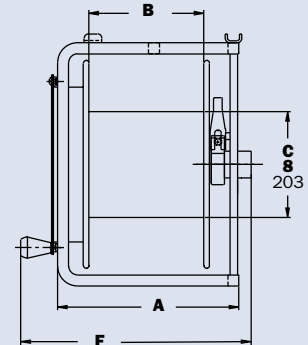
Model Number	Cable Capacity of Reel feet m							Approx. Weight without cable lb. kg		Reel Dimensions in. mm							
	Type O.D. (mm)	TAC 1 4.5	TAC 2 5	TAC 4 5.5	TAC 6 6	TAC 12 7	SMPTE 311M 9.2	NET	UPS/ FedEx. SHIP Wt.	A	B	C	D	E	F	G	H
<b>AVF-14</b>	<b>1500</b>	<b>1300</b>	<b>1000</b>	<b>800</b>	<b>600</b>	<b>350</b>	<b>9.5</b>	<b>58*</b>	<b>9.50</b>	<b>6</b>	<b>6</b>	<b>13.5</b>	<b>14</b>	<b>13.25</b>	<b>18.25</b>	<b>7.94</b>	
	457	396	305	244	183	107	4.3	26	241	152	152	343	356	337	464	202	
<b>AVF-18</b>	<b>4000</b>	<b>3000</b>	<b>2500</b>	<b>2000</b>	<b>1600</b>	<b>1000</b>	<b>24</b>	<b>80*</b>	<b>13</b>	<b>9</b>	<b>8</b>	<b>20</b>	<b>18.5</b>	<b>16.25</b>	<b>20.5**</b>	<b>10</b>	
	1219	914	762	610	488	305	11	36	330	229	203	508	470	413	521	254	



AVF-14



AVF-18



**Notes:**

1. Specifications subject to change.
2. Be sure to check dimensions and weights prior to ordering.

\*Dimensional weight applies when shipped as a parcel package (via FedEx or UPS Ground).  
\*\*For Model AVF-18 casters will add 4-3/4" to "G" dimension. When ordering casters add "C" to model number: AVF-18C.