

Series AVC

Handheld and lightweight.

- Non-reflective black matte finish is standard.
- Optional storage drum extension.
- Equipped with one durable rubber twist tie for cable ends. "DE" models equipped with two ties.
- Adjustable cam-lock drag brake.

AVC16-10-11

- Crank handle permanently attached to the disc.

AVC16-14-16 and AVC 20-14-16

- Direct crank rewind.
- Optional pin lock available.



AVC16-10-11
Standard configuration shown



AVC16-10-11-DE
With optional drum extension



A new frame style is now standard on AVC Series reels. With this flexible modular design, the carry handle and the frame legs can be easily replaced in the event of damage. It is also possible to upgrade the carry handle to an optional ergonomic handle.



AVC16-14-16-DE
With optional drum extension and ergonomic handle



AVC20-14-16-DE
With optional drum extension



AVC Series includes one durable rubber twist tie for cable ends. "DE" models equipped with two.

Part No. 9949.0082

Series AVC1500

For longer lengths of cable.

AVC1500 Series

- Standard direct crank. Permanently attached.
- Manual rewind models, spring actuated pin lock, cam-lock drag brake.
- Equipped with one durable rubber twist tie for cable ends. Divider disc models equipped with additional tie.
- Non-reflective black matte finish is standard.

Options:

- Heavy duty locking caster wheel set, includes 2 locking and 2 non-locking casters with mounting plates (Part No. 9949.0075).
- Frame-mounted carrying handles (Part No. 9955.0023).
- Divider discs, available with a cut-out.

Note: This disc location must be specified.




AVC1500
Standard configuration shown



AVC1520-17-18

- Options shown:
- Slotted divider disc
 - Heavy-duty casters
 - Carrying handles
 - Caster extension brackets (see Note 3)



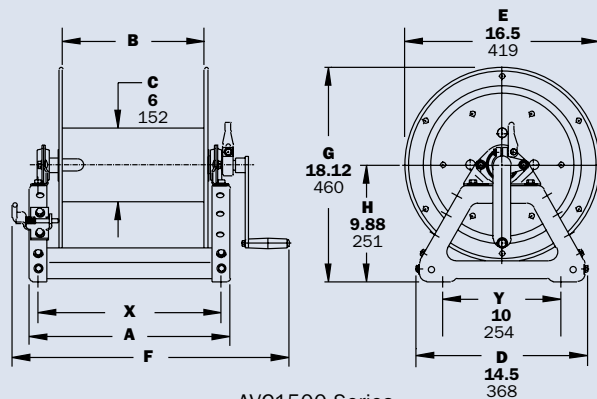
AVC 1500 Series includes one durable rubber twist tie for cable ends. Divider disc models with two.
Part No. 9949.0082

PARTS DRAWING – ISO 218

Model Number See Note 3	Cable Capacity of Reel feet m									Approx. Weight without cable lb. kg			Reel Dimensions in. mm			
	O.D. (in) O.D. (mm)	.25 6	.32 8	.38 10	.41 10	.45 11	.49 12	.58 15	.67 17	NET	UPS/ FedEx. SHIP Wt.	Freight SHIP Wt.	A	B	F	X
AVC1514-17-18		1250	700	550	400	325	300	200	125	23	68*	35	11	6	18.25	9.5
		381	213	168	122	99	91	61	38	10	31	16	279	152	464	241
AVC1516-17-18		1700	1000	700	600	500	400	300	200	24	68*	36	13	8	20.25	11.5
		518	305	213	183	152	122	91	61	11	31	16	330	203	514	292
AVC1520-17-18		2500	1450	1100	950	775	625	475	300	25	80*	40	17	12	24.25	15.5
		769	442	335	290	236	191	145	91	11	36	18	432	305	616	394
AVC1522-17-18		3000	1700	1250	1050	875	700	525	350	26	98*	46	19	14	26.25	17.5
		914	518	381	320	267	213	160	107	12	44	21	403	356	667	445

Notes:

1. Specifications subject to change.
 2. **Be sure to check dimensions and weights prior to ordering.**
 3. For AVC 1520-17-18 and AVC 1522-17-18 with caster extension brackets, dimension D=20," dimension G=22."
- *Dimensional weight applies when shipped as a parcel package (via FedEx or UPS Ground).



AVC1500 Series