

Series AV

For fast rollout and storage.

- Broadcast and pro-audio applications. The reels are stackable and have side-mounted connector panels.
- Rugged steel and aluminum construction throughout. Square tubing frame.
- Black, non-reflective matte finish.
- Equipped with one durable rubber twist tie for cable ends.
- Removable side panel (blank panel is supplied as standard).
- Standard strain relief inside panel compartment.
- Frame clips allow stacking.
- Optional heavy-duty, locking caster wheels (set includes 2 locking and 2 non-locking casters).
- Optional pull handle is available for AV-2 and AV-3 (Part No. 9949.0500). See page 5.
- Adjustable cam-lock drag brake.



AV-1
Standard with caster mounting plates



AV-2
Shown with optional casters (cable and punched end plate not included)



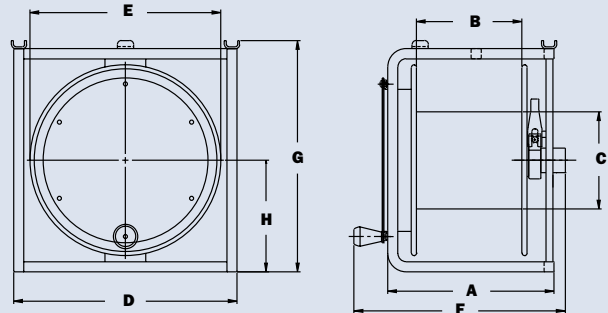
AV Series includes one durable rubber twist tie for cable ends.
Part No. 9949.0082

PARTS DRAWING – AV-1-ISO 190, AV-2-ISO 191, AV-3-ISO 231

| Model Number | Cable Capacity of Reel feet m | | | | | | | | | Approx. Weight without cable lb. kg | | | Reel Dimensions in. mm | | | | | | | |
|--------------|----------------------------------|----------|----------|-----------|-----------|-----------|-----------|-----------|-----------|---|-------------------------------|------------------------|---------------------------|-----|-------|-------|-------|-------|-----|---|
| | O.D. (in) O.D. (mm) | .25 6 | .32 8 | .38 10 | .41 10 | .45 11 | .49 12 | .58 15 | .67 17 | NET | UPS/ FedEx, SHIP Wt. | Freight SHIP Wt. | A | B | C | D | E | F | G | H |
| AV-1 | 600 | 350 | 225 | 200 | 150 | 125 | - | - | 14 | 58* | 21 | 10.5 | 7 | 6 | 13.75 | 11.75 | 14.25 | 14.25 | 7 | |
| | 183 | 107 | 69 | 61 | 46 | 38 | - | - | 6 | 26 | 10 | 267 | 178 | 152 | 349 | 298 | 362 | 362 | 178 | |
| AV-2 | - | - | - | 750 | 600 | 500 | 350 | 250 | 25 | 80* | 30 | 13 | 9 | 8 | 20 | 18 | 16.25 | 20.5 | 10 | |
| | - | - | - | 229 | 183 | 152 | 107 | 76 | 11 | 36 | 14 | 330 | 229 | 203 | 508 | 457 | 413 | 521 | 254 | |

Notes:

1. Specifications subject to change.
 2. **Be sure to check dimensions and weights prior to ordering.**
 3. Casters will add 2-3/4" to "G" dimension on AV-1 and AV-3.
Casters will add 3-1/2" to "G" dimension on AV-2.
- *Dimensional weight applies when shipped as a parcel package (via FedEx or UPS Ground).



AV-1 and AV-2