

F4 D

PROFESSIONAL FRESNEL SPOTLIGHT WITH DAYLIGHT LED



FEATURES

- ▶ LED Fresnel spotlight with daylight LED and 34,000 lm total light output
- ▶ Natural colour reproduction, CRI 96, TLCI > 94
- ▶ Continuous zoom for beam angles from 12° to 40°
- ▶ 16-bit technology for high-resolution dimming
- ▶ Four selectable dimmer curves with adjustable response
- ▶ Highly efficient heatpipe cooling with temperature-controlled fan
- ▶ RDM-capable, selectable pulse width modulation frequencies up to 25 kHz
- ▶ Flicker-free and silent operation, ideal for TV, film and theatre
- ▶ Quicklight function to save time when setting lights
- ▶ 8-way barndoor and gel frames included

DESCRIPTION

Natural white daylight in precise reproduction quality: The CAMEO F4 D is a professional Fresnel spotlight with the latest LED technology. It's an outstanding replacement for conventional halogen Fresnel spotlights that also leads to significant energy savings. The 250 mm high-quality lens is flooded with a powerful luminous flux of 34,000 lm. The RDM-capable spotlight creates a soft-edged beam of light with a continuously adjustable beam angle of 12° to 40° (beam angle) or 24° to 47° (field angle). Its 520-watt daylight LED has a colour temperature of 5,600 K and a service life of 50,000 hours. Its extremely high colour rendering index of 96 reproduces pure and natural colours.

The F4 D has six DMX control modes, a fast strobe function and 16-bit dimmer curves with adjustable response. The unique quicklight function makes setting up the spotlight much easier. Simply remove the DMX signal for a moment, increase the lighting brightness via the push encoder and adjust the spotlight. Six selectable pulse width modulation frequencies of up to 25 kHz ensure flicker-free operation. The highly efficient heatpipe cooling combines with a temperature-controlled fan to ensure optimal operation. The robust, die-cast aluminium housing is equipped with a push encoder and OLED display for easy configuration of the spotlight. 5-pin DMX connections allow simple daisy-chaining. 8-way barndoor, a gel frame and mains cable are included.



Features and specifications
subject to change without notice.

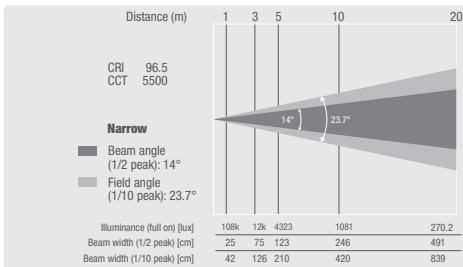
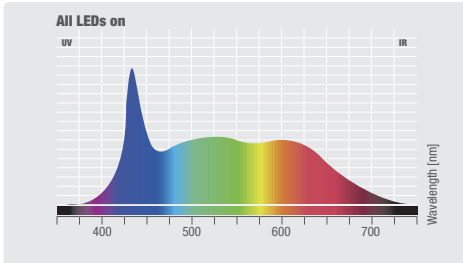
adamhall.com

F4 D

PROFESSIONAL FRESNEL SPOTLIGHT WITH DAYLIGHT LED



PHOTOMETRICAL DATA



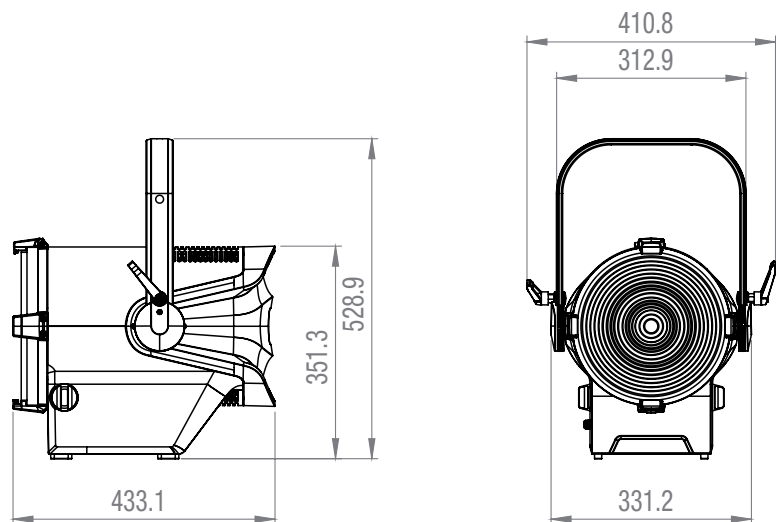
Luminous flux	narrow RAW	Chromaticity coordinates	
All LEDs on	23100	x 0.324	y 0.325
Red			
Green			
Blue			
White			
Amber			
UV			

SPECIFICATIONS

Product type	LED Fresnel Spotlight
Type	Theater Fresnel
Colour spectrum	Daylight
Number of LEDs	1
LED type	520 W (approx. 50,000 operating hours)
LED PWM Frequency	Adjustable: 800, 1200, 2000, 3600, 12000, 25000 Hz
Dispersion	Beam Angle: 12 - 40 ° , Field Angle: 24 - 47 °
Lens	250 mm Fresnel
DMX input	5-Pol
DMX output	5-Pol
DMX Functions	Device Settings , Dimmer , Dimmer Curve , Dimmer Fine , strobe
Standalone modes	Master / Slave mode , Static
Controls	Push encoder
Indicators	OLED Display
Operating voltage	100 V AC - 240 V AC, 50 - 60 Hz
Power consumption	478 W
Power connector	TRUE1 compatible Power I/O sockets
Power supply connection	TRUE1 compatible Power I/O sockets
Housing material	Die-cast aluminum
Cabinet colour	Black
Protection class IP	IP20
Cooling	Comination of Heat Pipe and Temperature Controlled Fan
Luminous flux	34000 lm
Efficiency	71 lm/W
Colour temperature	5600 K
Ambient temperature (operating)	-15 - 45 °C

DIMENSIONS WITHOUT MOUNTING BRACKET

Width	410 mm
Height	364 mm
Length	433 mm
Weight	17,8 kg
LED type	520 W (approx. 50,000 operating hours)
Accessories (included)	8-way barndoor , gel frame , Power cord



Features and specifications subject to change without notice.

adamhall.com