

USER'S MANUAL
BEDIENUNGSANLEITUNG
MANUEL D'UTILISATION
MANUAL DE USUARIO
INSTRUKCJA OBSŁUGI
MANUALE D' USO



AZOR[®] S2

COMPACT SPOT MOVING HEAD
CLAZORS2

CONTENTS / INHALTSVERZEICHNIS / CONTENU / CONTENIDO / TREŠĆ / CONTENUTO

ENGLISH

INFORMATION ON THIS USER MANUAL	6
INTENDED USE	6
DEFINITIONS AND SYMBOL EXPLANATIONS	6
SAFETY INSTRUCTIONS	7
NOTES FOR MOBILE INDOOR DEVICES INCLUDED	10
INTRODUCTION	10
CONNECTIONS, OPERATING AND DISPLAY ELEMENTS	11
OPERATION	14
SETUP AND INSTALLATION	20
CARE, MAINTENANCE AND REPAIR	21
DIMENSIONS (MM)	22
TECHNICAL DATA	23
MINIMUM DISTANCE TO ILLUMINATED SURFACE	24
MINIMUM DISTANCE TO NORMALLY FLAMMABLE MATERIALS	24
DISPOSAL	24
MANUFACTURER'S DECLARATIONS	25

DEUTSCH

INFORMATIONEN ZU DIESER BEDIENUNGSANLEITUNG	27
BESTIMMUNGSGEMÄSSER GEBRAUCH	27
BEGRIFFS- UND SYMBOLERKLÄRUNGEN	27
SICHERHEITSHINWEISE	28
HINWEISE FÜR ORTSVERÄNDERLICHE INDOOR-GERÄTE	31
LIEFERUMFANG	31
EINFÜHRUNG	32
ANSCHLÜSSE, BEDIEN- UND ANZEIGEELEMENTE	33
BEDIENUNG	35
AUFSTELLUNG UND MONTAGE	42
PFLEGE, WARTUNG UND REPARATUR	43
ABMESSUNGEN (MM)	44
TECHNISCHE DATEN	45
MINDESTABSTAND ZUR BELEUCHTETEN FLÄCHE	46
MINDESTABSTAND ZU NORMAL ENTFLAMMBAREN MATERIALIEN	46
ENTSORGUNG	47
HERSTELLERERKLÄRUNGEN	48

CONTENTS / INHALTSVERZEICHNIS / CONTENU / CONTENIDO / TREŠĆ / CONTENUTO

FRANÇAIS

INFORMATIONS CONCERNANT CE MANUEL D'UTILISATION	49
UTILISATION CONFORME	49
EXPLICATIONS DES TERMES ET DES SYMBOLES	49
CONSIGNES DE SÉCURITÉ	50
REMARQUES CONCERNANT LES APPAREILS D'INTÉRIEUR MOBILES	53
CONTENU DE LA LIVRAISON	53
INTRODUCTION	54
RACCORDEMENTS, ÉLÉMENTS DE COMMANDE ET D'AFFICHAGE	55
UTILISATION	57
INSTALLATION ET MONTAGE	65
ENTRETIEN, MAINTENANCE ET RÉPARATION	65
DIMENSIONS (MM)	67
CARACTÉRISTIQUES TECHNIQUES	68
DISTANCE MINIMALE PAR RAPPORT À LA SURFACE ÉCLAIRÉE	69
DISTANCE MINIMALE PAR RAPPORT AUX MATÉRIAUX NORMALEMENT INFLAMMABLES	69
ÉLIMINATION	70
DÉCLARATIONS DU FABRICANT	71

ESPAÑOL

INFORMACIÓN SOBRE ESTE MANUAL DE INSTRUCCIONES	72
USO PREVISTO	72
TÉRMINOS Y SÍMBOLOS	72
INSTRUCCIONES DE SEGURIDAD	73
INDICACIONES PARA EQUIPOS PORTÁTILES DE INTERIOR	76
VOLUMEN DE SUMINISTRO	76
INTRODUCCIÓN	77
CONEXIONES, ELEMENTOS DE MANEJO Y ELEMENTOS DE VISUALIZACIÓN	78
MANEJO	80
INSTALACIÓN Y MONTAJE	88
CUIDADO, MANTENIMIENTO Y REPARACIÓN	88
DIMENSIONES (MM)	90
DATOS TÉCNICOS	91
DISTANCIA MÍNIMA CON RESPECTO A LA SUPERFICIE ILUMINADA	92
DISTANCIA MÍNIMA CON RESPECTO A MATERIALES NORMALMENTE INFLAMABLES	92
ELIMINACIÓN	93
DECLARACIONES DEL FABRICANTE	94

CONTENTS / INHALTSVERZEICHNIS / CONTENU / CONTENIDO / TREŚĆ / CONTENUTO

POLSKI

INFORMACJE DOTYCZĄCE NINIEJSZEJ INSTRUKCJI OBSŁUGI	95
UŻYTKOWANIE ZGODNE Z PRZEZNACZENIEM	95
OBJAŚNIENIA TERMINOLOGII I SYMBOLI	95
ZASADY BEZPIECZEŃSTWA	96
UWAGI DOTYCZĄCE PRZENOŚNEGO SPRZĘTU DO STOSOWANIA W POMIESZCZENIACH	99
ZAKRES DOSTAWY	99
WPROWADZENIE	100
PRZYŁĄCZA, ELEMENTY OBSŁUGI I WSKAŹNIKI	101
OBSŁUGA	103
USTAWIANIE I MONTAŻ	110
CZYSZCZENIE, KONSERWACJA I NAPRAWY	111
WYMIARY (MM)	112
DANE TECHNICZNE	113
MINIMALNA ODLEGŁOŚĆ OD POWIERZCHNI OŚWIETLANEJ	114
MINIMALNA ODLEGŁOŚĆ OD MATERIAŁÓW NORMALNIE PALNYCH	114
UTYLIZACJA	115
DEKLARACJE PRODUCENTA	116

ITALIANO

INFORMAZIONI SUL PRESENTE MANUALE D'USO	117
UTILIZZO CONFORME	117
SPIEGAZIONE DI CONCETTI E SIMBOLI	117
INDICAZIONI SULLA SICUREZZA	118
AVVERTENZE PER DISPOSITIVI INDUSTRIALI PORTATILI	121
FORNITURA	121
INTRODUZIONE	122
CONNETTORI, ELEMENTI DI COMANDO E VISUALIZZAZIONE	123
UTILIZZO	125
INSTALLAZIONE E MONTAGGIO	132
PULIZIA, MANUTENZIONE E RIPARAZIONE	133
DIMENSIONI (MM)	134
DATI TECNICI	135
DISTANZA MINIMA DALLA SUPERFICIE ILLUMINATA	136
DISTANZA MINIMA DAI MATERIALI NORMALMENTE INFIAMMABILI	136
SMALTIMENTO	137
DICHIARAZIONI DEL PRODUTTORE	138

**CONTENTS / INHALTSVERZEICHNIS / CONTENU / CONTENIDO / TREŚĆ /
CONTENUTO**

DMX

DMX CONTROL / DMX STEUERUNG / PILOTAGE DMX / CONTROL DMX /
STEROWANIE DMX / CONTROLLO DMX

139

YOU HAVE MADE THE RIGHT CHOICE!

This device has been developed and manufactured to the highest quality standards to ensure many years of problem-free operation. Please read this user manual carefully to be able to use your new Cameo product quickly and optimally. Further information about Cameo Light is available on our website **CAMEOLIGHT.COM**.

INFORMATION ON THIS USER MANUAL

- Carefully read the safety instructions and the entire manual before operating the device.
- Observe the warnings on the device and in the user manual.
- Always keep the user manual within reach.
- If you sell or pass on the device, it is important that you also include this user manual, as it is an integral part of the product.

INTENDED USE

The product is a device for event technology!

This product has been developed for professional use in the field of event technology and is not suitable for use as domestic lighting!

Furthermore, this product is only intended for qualified users with specialist knowledge of event technology!

Use of the product outside the specified technical data and operating conditions is considered inappropriate!

Liability for damage and third-party damage to persons and property due to inappropriate use is excluded!

The product is not suitable for:

- Use by persons (including children) with limited physical, sensory or mental abilities or lack of experience and knowledge.
- Children (children must be instructed not to play with the device).

DEFINITIONS AND SYMBOL EXPLANATIONS

1. **HAZARD:** The word HAZARD, possibly in combination with a symbol, indicates situations in which there is an immediate danger or risk of potentially fatal injury.
2. **WARNING:** The word WARNING, possibly in combination with a symbol, indicates situations in which there is an immediate danger or risk of potentially fatal injury.
3. **CAUTION:** The word CAUTION, possibly in combination with a symbol, indicates situations or conditions that could result in injury.
4. **ATTENTION:** The word ATTENTION, possibly in combination with a symbol, indicates situations or conditions that could result in damage to property and/or the environment.



This symbol identifies hazards that can cause electric shock.



This symbol identifies hazardous areas or hazardous situations.



This symbol indicates hazards caused by hot surfaces.



This symbol indicates hazards caused by intense light sources.



This symbol indicates a device in which there are no user-replaceable parts.



This symbol indicates additional information on the operation of the product.

SAFETY INSTRUCTIONS



HAZARD:

1. Do not open the device and do not perform any modifications.
2. If your device no longer functions properly, if liquids or objects get inside it or if it has been damaged in any other way, switch it off immediately and unplug it from the power source. The device may be repaired only by authorised repair technicians.
3. For devices of protection class 1, the protective conductor must be connected correctly. Never disconnect the protective conductor. Devices of protection class 2 do not have a protective conductor.
4. Ensure that live cables are not kinked or otherwise mechanically damaged.
5. Never bypass the device fuse.



WARNING:

1. The device may not be operated if it shows obvious signs of damage.
2. The device may only be installed in a voltage-free state.
3. If the device's power cable is damaged, the device may not be used.
4. Permanently connected power cables may only be replaced by a qualified person.

**ATTENTION:**

1. Do not switch on the device if it has been exposed to extreme temperature fluctuations (for example, following transport). Moisture and condensation can damage the device. Switch on the device only when it has reached room temperature.
2. Ensure that the voltage and frequency of the mains supply match the values specified on the device. If the device has a voltage selector switch, do not connect the device until it has been set correctly. Use only suitable power cables.
3. To disconnect the device from the mains on all poles, it is not sufficient to press the on/off switch on the device.
4. Make sure that the fuse used corresponds to the type printed on the device.
5. Ensure that suitable measures have been taken against overvoltage (e.g. lightning strikes).
6. Observe the specified maximum output current on devices with a Power Out connection. Ensure that the total current consumption of all connected devices does not exceed the specified value.
7. Replace plug-in power cables with original cables only.

**HAZARD:**

1. Choking hazard! Plastic bags and small parts must be kept out of reach of persons (including children) with reduced physical, sensory or mental capabilities.
2. Risk of falling! Make sure that the device is securely installed and will not fall down. Only use suitable stands or mounts (particularly for fixed installations). Ensure that accessories are properly installed and secured. Ensure that applicable safety regulations are observed.

**WARNING:**

1. Use the device in the prescribed manner only.
2. Operate the device using only accessories of the type recommended and supplied by the manufacturer.
3. Observe safety regulations applicable in your country during installation.
4. After connecting the device, ensure that all cables are routed so as to avoid damage or accidents, such as from tripping.
5. Always observe the specified minimum distance to normally flammable materials! Unless explicitly stated, the minimum distance is 0.3 m.

**CAUTION:**

1. Moving components such as mounting brackets may become jammed.
2. In the case of devices with motor-driven components, there is a risk of injury due to the movement of the device. Sudden movement of the device can cause shock reactions.
3. The housing surface of the device can become very hot during regular operation. Ensure that accidental touching of the housing is not possible. Always allow the device to cool sufficiently before removal, maintenance work and charging etc.

**ATTENTION:**

1. Do not install or use the device in the vicinity of radiators, accumulators, stoves, or other heat sources. Ensure that the device is always installed in such a way that it is sufficiently cooled and cannot overheat.
2. Do not place any ignition sources, such as burning candles, near the device.
3. Ventilation openings must not be covered and fans must not be blocked.
4. For transport, use the original packaging or packaging provided by the manufacturer.
5. Avoid any impacts to or shaking of the device.
6. Observe the IP rating and the ambient conditions such as temperature and humidity according to the specifications.
7. Devices can be continuously further developed. In the event of deviating information on operating conditions, performance or other device properties between the user manual and the device labelling, the information on the device always has priority.
8. The device is not suitable for tropical climate zones or for operation over 2,000 m above sea level.
9. Unless explicitly stated, the device is not suitable for operation under marine conditions.

**PLEASE NOTE:**

For conversion or retrofit sets or accessories provided by the manufacturer, it is essential to observe the instructions included.

CAUTION! IMPORTANT INFORMATION REGARDING LIGHTING PRODUCTS!

1. Never look directly into the beam of light, not even for a short period of time.
2. Never look into the beam of light using optical devices such as a magnifying glass.



3. Stroboscopic effects may cause epileptic seizures in susceptible individuals!



4. Permanently installed lamps are built into these lighting units. These may not be replaced by the user. The lamps contained in this lighting unit may only be replaced by the manufacturer, its service partner, or a similarly qualified person.

NOTES FOR MOBILE INDOOR DEVICES

1. Temporary operation! Event equipment is generally only designed for temporary operation.
2. Continuous operation or permanent installation can impair the functioning of the device and cause premature ageing.

INCLUDED

Remove the product from the packaging and remove all packaging material.

Please check the completeness and integrity of the delivery and notify your distribution partner immediately after purchase if the delivery is not complete or if it is damaged.

Product includes:

- ▶ 1 x AZOR S2 LED moving head
- ▶ 2 x Omega mounting brackets
- ▶ 1x power cable
- ▶ User manual

INTRODUCTION**LED MOVING HEAD**

CLAZORS2

CONTROL FUNCTIONS:

21-channel basic, 24-channel standard, 28-channel extended DMX control
DMX512

W-DMX™ via optionally available Cameo iDMX stick

RDM

Master / slave operation

Standalone functions

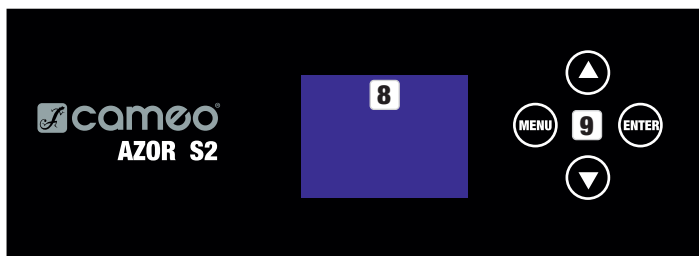
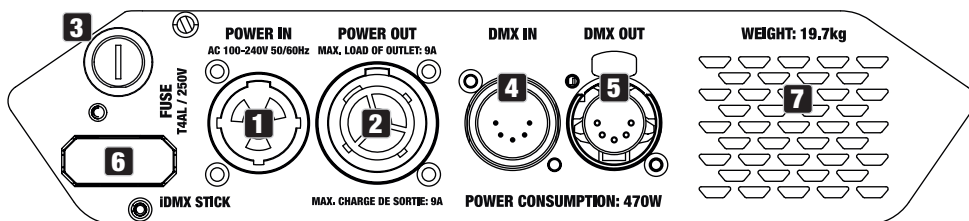
FEATURES:

300 W cool white LED. CMY colour mix. Colour wheel with 8 colours plus open. 2 gobo wheels with 8 rotating gobos and 11 fixed gobos plus open. Zoom, Focus, Iris, Prism and Frost functions. DMX512. Connection for optional iDMX stick for wireless control via W-DMX™. 5-pin DMX connections. 2 x Omega mounting brackets included.

The spotlight features the RDM standard (Remote Device Management). Remote device management allows the user to view the status and configuration of RDM terminals via an RDM-capable controller, such as the optionally available Cameo UNICON (product number CLIREMOTE).

Cameo UNICON also provides access to the entire spotlight menu.

CONNECTIONS, OPERATING AND DISPLAY ELEMENTS



1 POWER IN

TRUE1-compatible mains input socket. Operating voltage 100–240 V AC/50–60 Hz. Use the power cable provided.

2 POWER OUT

TRUE1-compatible mains output socket. Facilitates power supply to other CAMEO spotlights. Ensure that the total power consumption of all devices connected to the device does not exceed the given ampere (A) value.

3 FUSE

Fuse holder for 5 x 20 mm fuses. **IMPORTANT:** Replace the fuse only with a fuse of the same type and value. In the event of repeated fuse failure, please contact an authorised service centre.

4 DMX IN

Male 5-pin XLR socket for connection to a DMX control device (e.g. DMX console).

5 DMX OUT

Female 5-pin XLR socket for sending the DMX control signal.

6 IDMX STICK

Connection for the optional iDMX stick for W-DMX™ connection (plug in the iDMX stick with the antenna facing upwards). Note the settings under **Wireless** in the Settings menu.

7 VENTILATION OPENINGS

To avoid damage to the device, do not cover the ventilation openings on the rear and ensure that air can circulate freely.

8 OLED DISPLAY

The OLED display shows the currently activated mode (main display), the menu items in the menu and the numerical value or operational status in certain menu items. If there is no input for approx. one minute, the display automatically returns to the main display. Note regarding the main display in operating modes with external control: As soon as the control signal is interrupted, the characters in the display begin to flash. When there is a control signal again, the flashing stops.

9 CONTROL KEYS

MENU – Press MENU to access the main menu. Press again or repeatedly to return to the main display. Pressing MENU without confirming a value or status change with ENTER restores the previously confirmed value or status.

ENTER – press ENTER to access the menu levels, to make value changes, and to access the submenus. Confirm value or status changes by pressing ENTER.

▲ and ▼ – Select individual menu items in the main menu (DMX address, DMX mode etc.) and in the submenus. Allows you to change the value of a menu option, such as the DMX address, as desired (long press = quick value change).

10 RECESSED GRIPS

In addition to the two transport handles on the base of the unit, there are practical recessed grips at the top of the inner sides of the two device arms.



11 PAN LOCK

Mechanical locking device used to prevent the rotation of the head in the horizontal direction during transport. Disconnect the unit from the mains, move the head parallel to the base (8 possible positions) and push the locking lever upwards and then in the direction of the pan rotation axis (LOCK) to lock it in position. Unlock the device before startup (UNLOCK).



12 TILT LOCK

Mechanical locking device used to prevent rotation of the head in the vertical direction during transport (7 possible positions). Disconnect the unit from the mains and slide the locking lever in the direction of the tilt rotation axis, moving the head of the unit vertically until one of the 7 locking positions is found and the locking lever engages (LOCK). Unlock the device before startup (UNLOCK).



- Similar to image -

OPERATION

NOTES

When the spotlight is started, “Update Wait” briefly appears on the display, then “Welcome to Cameo”, the model name and the software version. The motors are then reset (Motor Reset Please Wait). After this process, the spotlight is operational and the previously activated operating mode is launched.

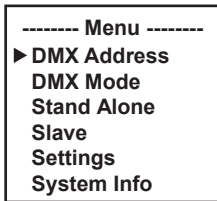
MAIN DISPLAY IN DMX MODE

The main display in DMX mode shows the currently set DMX start address (see illustration). If the spotlight has no DMX signal, the characters on the display flash.



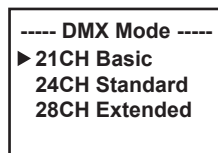
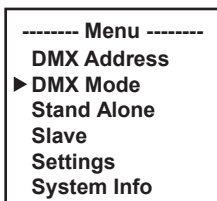
SETTING DMX START ADDRESS (DMX Address)

Starting from the main display, press MENU to enter the main menu. Now use ▲ or ▼ to select the menu item **DMX Address** and confirm with ENTER. Now use the ▲ or ▼ buttons to configure the desired DMX start address and press ENTER to confirm (highest value dependent upon activated DMX mode).



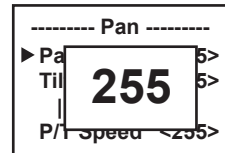
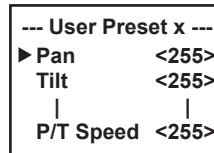
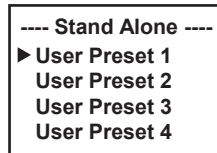
CONFIGURING DMX MODE (DMX Mode)

Starting from the main display, press MENU to enter the main menu. Now use ▲ or ▼ to select the menu item **DMX Mode** and confirm with ENTER. Again use ▲ or ▼ to select the desired DMX mode and confirm with ENTER. Tables with the channel assignment of the different DMX modes can be found in these instructions under DMX CONTROL.



STAND ALONE MODE (Stand Alone)

Four individually adjustable scenes are available in stand alone mode. Starting from the main display, press MENU to enter the main menu. Use ▲ or ▼ to select the menu item **Stand Alone** and confirm with ENTER. Now use ▲ and ▼ to select the desired preset and confirm with ENTER.

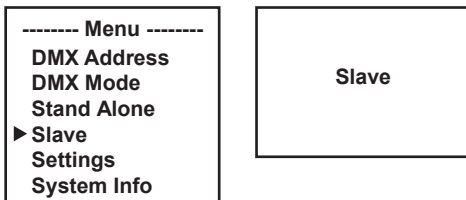


Select the desired submenu item, confirm, set the desired value and confirm again.

User Preset X	Tilt	000	-	255	0% -> 100%
	Pan	000	-	255	0% -> 100%
	Dimmer	000	-	255	Master dimmer 0% -> 100%
	Strobe	000	-	255	Multi-functional strobe
	Cyan	000	-	255	CMY
	Magenta	000	-	255	
	Yellow	000	-	255	
	Colour	000	-	255	Colour Wheel
	Gobo 1	000	-	255	Gobo Wheel 1
	Gobo 1 Red	000	-	255	Gobo 1 Rotation
	Gobo 2	000	-	255	Gobo Wheel 2
	Zoom	000	-	255	Narrow -> wide
	Focus	000	-	255	0% -> 100%
	Iris	000	-	255	0% -> 100%
	PrismSelect	000	-	255	Prism selection
	Prism 1	000	-	255	Prism 1 position/rotation
	Prism 2	000	-	255	Prism 2 position/rotation
	Frost	000	-	255	0% -> 100%
	P/T Macro	000	-	255	Pan/Tilt Macro
	P/T Speed	000	-	255	Pan/Tilt Macro Speed

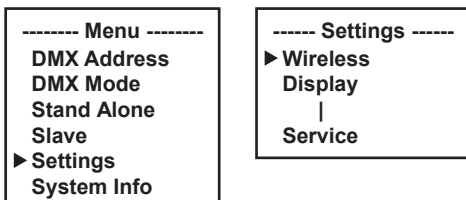
SLAVE MODE

Starting from the main display, press MENU to enter the main menu. Use ▲ or ▼ to select the menu item **Slave** and confirm with ENTER. Connect the slave and master unit (same model, same software version) using a DMX cable, and activate a stand alone mode on the master unit. The slave unit will now follow the master unit. Alternatively, the control signal can be transmitted via W-DMX (iDMX stick optionally available).



SYSTEM SETTINGS (Settings)

Starting from the main display, press MENU to enter the main menu. Using ▲ and ▼, select the menu item **Settings** and confirm with ENTER.



This will take you to the submenu for setting the submenu items (see table, select with ▲ and ▼, confirm with ENTER, change value or status with ▲ and ▼, confirm with ENTER).

Settings (factory setting)				
Wireless	Wireless settings (iDMX stick optional)	iDMX State	Off	Wireless control disabled
			On	Wireless control enabled
		Signal routing	To XLR	Signal -> DMX OUT
			Backup by XLR	Backup via DMX IN with W-DMX signal interruption
		Receive only	W-DMX reception only	

Display	Display settings	Display Reverse	Off	No display rotation
			On	Display is rotated by 180° (e.g. for overhead installation)
		Display Off Timer	Always On	On permanently
			Off after 20 s	Deactivates after approximately 20 seconds of inactivity
Autolock	Off	Autolock function disabled		
	On	Operating elements LOCKED after approx. 30 seconds without input. Unlock: Around Press MENU for 3 seconds.		
Dimmer	Dimmer settings	Dimmer Curve	Linear	Light intensity increases linearly with DMX value
			Exponential	Light intensity can be finely adjusted at lower DMX values and broadly adjusted at higher DMX values
			Logarithmic	Light intensity can be broadly adjusted at lower DMX values and finely adjusted at higher DMX values
			S-curve	Light intensity can be finely adjusted at lower and higher DMX values and broadly adjusted at medium DMX values
	Dimmer Response = dimmer response	Dimmer Response	LED	Lamp responds abruptly to changes in DMX value
			Halogen	The spotlight behaves like a halogen spotlight with slight brightness changes
PWM Frequency = LED PWM frequency	PWM Frequency	650 Hz, 1530 Hz, 3600 Hz, 12 kHz, 18.9 kHz, 25 kHz	Select LED PWM frequency	
Movement	Adjust head movements	Pan Reverse	Off	Does not reverse pan direction
			On	Reverses pan direction
		Tilt Reverse	Off	Does not reverse tilt direction
			On	Reverses tilt direction
		Pan Angle	540°	Pan angle 540°
			630°	Pan angle 630°
		Position Feedback	Off	Automatic position correction is disabled
			On	Automatic position correction is enabled
Move in Black	Off	No blackout during head movement		
	On	Blackout during head movement		
Silent Movement	Off	Function disabled		
	On	Slow motor movements for quieter operation		

Wheels	Adjust the gobo wheels and colour wheel	Gobo Wheel	Position	Clockwise	Gobo wheel always turns clockwise
				Shortest way	Gobo wheel turns the shortest distance
			Move-ment	Snap	Gobo wheel jumps directly back to the desired gobo when the relevant value is reached
				Scroll	Continuous rotation of the gobo wheels
		Colour Wheel	Position	Clockwise	Colour wheel always turns clockwise
				Shortest way	Colour wheel turns the shortest distance
			Move-ment	Snap	Colour wheel jumps directly back to the desired colour filter when the relevant value is reached
				Scroll	Continuous rotation of the colour wheels
		Move in Black	Off	No blackout in the event of value changes in the colour and gobo wheels	
			On	Blackout in the event of value changes in the colour and gobo wheels	
Fan Set	Fan settings	Auto	Automatic fan control		
		Fan Off	Deactivated fan with greatly reduced brightness		
		Constant Low	Constantly low fan speed with reduced brightness, if necessary		
		Constant Mid	Constant average fan speed with reduced brightness, if necessary		
		Constant High	Constant high fan speed		
Signal Fail	Operating status when DMX signal fault occurs	Hold	Last command is retained		
		Blackout	Activates blackout		
		Fade Out 10 s	10-second fade to blackout		
		User Preset 1	User Preset 1 is activated		

Service	Reset settings	Store Default	User default A	Save user settings A
			User default B	Save user settings B
			User default C	Save user settings C
		Load Default	Factory Default	Reset to factory settings: Perform reset with ENTER, cancel with MENU
			User default A	Reset to User A: Perform reset with ENTER, cancel with MENU
			User default B	Reset to User B: Perform reset with ENTER, cancel with MENU
			User default C	Reset to User C: Perform reset with ENTER, cancel with MENU
		Reset	Pan/Tilt	Reset pan and tilt motors
			Head	Reset all motors in the spotlight head
	All functions		Resets all motors	
	Password	For service purposes only		

SYSTEM INFORMATION (System Info)

Starting from the main display, press MODE to enter the main menu. Now use ▲ or ▼ to select the menu item **System Info** and confirm with ENTER.

----- Menu -----
DMX Address
DMX Mode
Stand Alone
Slave
Settings
▶ System Info

---- System Info ----
▶ Firmware
Sensor
Operation Hours
Errors

This will take you to the submenu for accessing the system information (see table, selection with ▲ or ▼, confirm with ENTER, change status with ▲ and ▼, confirm with ENTER).

Info		
Firmware	1U	V1.x.x
	2U	V1.x.x
	3U	V1.x.x
	4U	V1.x.x
	5U	V1.x.x
	6U	V1.x.x

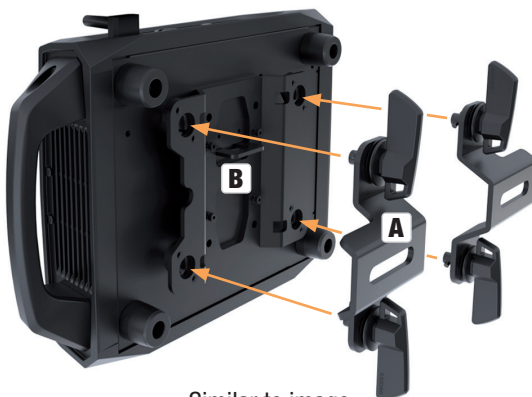
Sensor	Temperature	LED	xx°C / xx°F
		Base	xx°C / xx°F
	Temperature unit	°C	degrees Celsius
		°F	degrees Fahrenheit
	Fan Speed	LED	Fan revolutions LED xxxxRPM
		Motor	Fan revolutions motors xxxxRPM
Base		Fan revolutions device base xxxxRPM	
Operation Hours	Operation Time	xxxx:xx h	Total operating time
	LED Time	xxxx:xx h	LED unit operating time
Errors	Error display in case of malfunction		

SETUP AND INSTALLATION



HAZARD: Overhead mounting requires extensive experience, including the calculation of the load limit values of the installation material and regular safety inspection of all installation materials and spotlights. If you do not have these qualifications, do not attempt to perform an installation yourself. Refer instead to a qualified professional. There is a risk that devices that are incorrectly mounted and secured may come loose and fall down. This can cause serious injury or death.

Thanks to its integrated rubber feet, the lamp can be positioned in a suitable location on a level surface. Traverse installation can be achieved with the help of two Omega brackets, which are attached to the base of the device (A). 2 x Omega brackets are included. Suitable beam clamps are available as an option. Ensure firm connections and secure the spotlight to the securing lug (B) with a suitable safety cable.



- Similar to image -

CARE, MAINTENANCE AND REPAIR

In order to ensure the long-term, proper functioning of the device, it must be regularly cleaned and, if necessary, maintained. The maintenance requirement depends on the intensity of use and the environment in which it is used.

We generally recommend a visual inspection before each operation. Furthermore, we recommend carrying out all the applicable maintenance measures specified below once every 500 operating hours or, in the case of a lower intensity of use, at the latest after one year. Warranty claims may be limited in the event of defects resulting from inadequate maintenance.

CARE (carried out by user)



WARNING! Before carrying out any maintenance work, the power supply and, if possible, all device connections must be unplugged.



PLEASE NOTE! Improper care can lead to impairment of the device or even destruction.

1. Housing surfaces must be cleaned with a clean, damp cloth. Make sure that no moisture can penetrate the device.
2. Air inlets and outlets must be regularly cleaned of dust and dirt. If compressed air is used, make sure that damage to the device is prevented (e.g. fans must be blocked in this case).
3. Lines and plug contacts must be cleaned regularly and dust and dirt must be removed.
4. In general, no cleaning agents or abrasive agents may be used, otherwise the surface finish may be damaged.
5. Devices must generally be stored dry and protected from dust and dirt.

MAINTENANCE AND REPAIR (by qualified personnel only)



HAZARD! There are live components in the device. Even after disconnecting the mains connection, there may still be residual voltage in the device, e.g. due to charged capacitors.



PLEASE NOTE! There are no user-serviceable components in the device.



PLEASE NOTE! Maintenance and repair work may only be carried out by qualified specialist personnel authorised by the manufacturer. If in doubt, consult the manufacturer.



PLEASE NOTE! Improperly performed maintenance work may affect warranty claims.

DIMENSIONS (mm)

ENGLISH

DEUTSCH

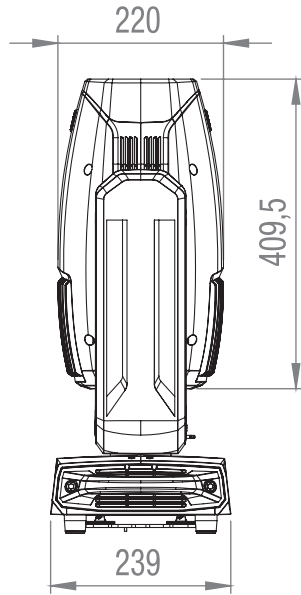
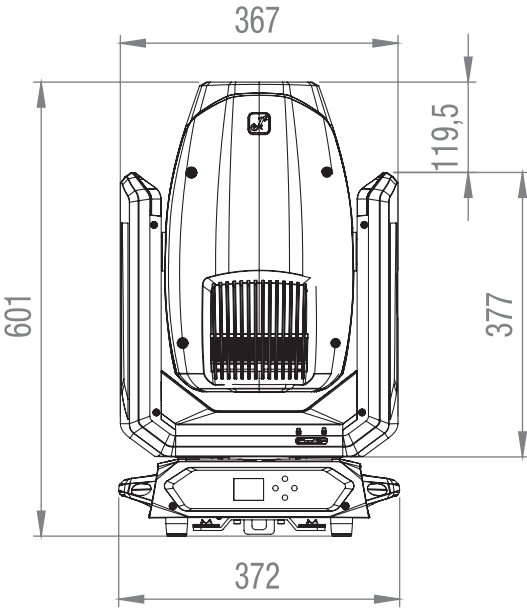
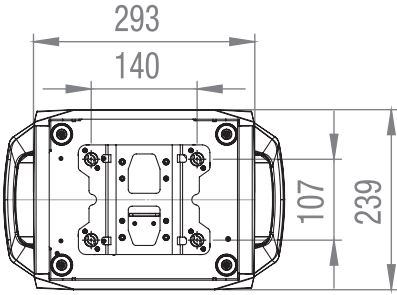
FRANCAIS

ESPAÑOL

POLSKI

ITALIANO

DMX



TECHNICAL DATA

PRODUCT NUMBER:	GLAZORS2
Product type:	LED moving light
Type:	Spot
LED colour spectrum:	Cool white 6800 K
Number of LEDs:	1
LED type:	300 W
Beam angle (half-peak divergence):	5° – 50°
Colour mixing system:	CMY
Number of colours:	8 + open and continuously variable colour wheel positioning
Number of gobos:	11 fixed + 8 rotatable & indexable + open
PWM frequency:	650 Hz; 1530 Hz; 3600 Hz; 12 kHz; 18.9 kHz; 25 kHz
DMX input:	5-pin male XLR
DMX output:	5-pin female XLR
DMX mode:	21-CH Basic, 24-CH Standard, 28-CH Extended
DMX functions:	Pan/Tilt, Pan/Tilt fine, Dimmer, Dimmer fine, Strobe, Cyan, Magenta, Yellow, Colour Wheel, Gobo Wheel 1, Gobo Wheel 1 Rotation, Gobo Wheel 1 Rotation fine, Gobo Wheel 2, Zoom, Zoom fine, Focus, Focus fine, Iris, Prisma Selection, Prisma 1, Prisma 2, Frost, Device Settings
Standalone functions:	User Preset 1–4, master/slave mode
Control:	DMX512, RDM, iDMX stick compatible
Pan angle:	540°/630°
Tilt angle:	270°
Operating controls:	MENU, ENTER, arrow up, arrow down
Display elements:	OLED display
Operating voltage:	100–240 V AC/50–60 Hz
Power consumption:	470 W
Luminous flux:	11,000 lm
Power supply connection:	True1 compatible input and output (max. output current 12 A)
Fuse:	T4 AL 250 V (5 x 20 mm)
Ambient temperature (in operation):	0°C to 40°C
Relative air humidity:	< 85%, non-condensing
Minimum distance to illuminated surface:	3 m

ENGLISH

DEUTSCH

FRANCAIS

ESPAÑOL

POLSKI

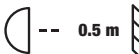
ITALIANO

DMX


PRODUCT NUMBER: CLAZORS2

Minimum distance to normally flammable materials:	0.5 m
Housing material:	Metal, ABS
Housing colour:	Black
IP protection class:	IP20
Housing cooling:	Temperature-controlled fan
Dimensions (W x H x D, without bracket):	372 x 601 x 239 mm
Weight:	19.7 kg
Additional features:	1 m power cable with True1 compatible plug and 2 x Omega mounting brackets included with the appliance

MINIMUM DISTANCE TO ILLUMINATED SURFACE

 This symbol with distance specification in metres (m) indicates the minimum distance between the light head and the illuminated surface. In this example, the distance is 0.5 m. The value applicable for this unit can be found in the technical data in this manual and the imprint on the unit housing!

MINIMUM DISTANCE TO NORMALLY FLAMMABLE MATERIALS

 This symbol with distance specification in metres (m) indicates the minimum distance between the light head and normally flammable materials. In this example, the distance is 0.5 m. The value applicable for this unit can be found in the technical data in this manual!

DISPOSAL**Packaging:**

1. Packaging can be fed into the reusable material cycle using the usual disposal methods.
2. Please separate the packaging in accordance with the disposal laws and recycling regulations in your country.



Device:

1. This device is subject to the European Directive on Waste Electrical and Electronic Equipment, as amended. WEEE Directive Waste Electrical and Electronic Equipment. Old appliances do not belong in household waste. The old device must be disposed of via an approved disposal company or a municipal disposal facility. Please observe the applicable regulations in your country!
2. Observe all disposal laws and regulations applicable in your country.
3. As a private customer, you can obtain information on environmentally-friendly disposal options from the seller of the product or the appropriate regional authorities.

MANUFACTURER'S DECLARATIONS

MANUFACTURER'S WARRANTY & LIMITATION OF LIABILITY

Adam Hall GmbH, Adam-Hall-Str. 1, 61267 Neu Anspach, Germany / E-mail Info@adamhall.com / +49 (0)6081 / 9419-0.

Our current warranty conditions and limitation of liability can be found at:

https://cdn-shop.adamhall.com/media/pdf/Manufacturers-Declarations-CAMEO_DE_EN_ES_FR.pdf.

Contact your distribution partner for service.

UKCA- CONFORMITY

Hereby, Adam Hall Ltd. declares that this product meets the following guidelines (where applicable)

Electrical Equipment (Safety) Regulations 2016

Electromagnetic Compatibility Regulations 2016 (SI 2016/1091)

The Restriction of the Use of Certain Hazardous Substances in Electrical and Electronic Equipment Regulation 2012 (SI 2012/3032)

Radio Equipment Regulations 201 7(SI 2016/2015)

UKCA- DECLARATION OF CONFORMITY

Products that are subject to Electrical Equipment(Safety)Regulation 2016, EMC Regulation 2016 or RoHS Regulation can be requested at info@adamhall.com.

Products that are subject to the Radio Equipments Regulations 2017 (SI2017/1206) can be downloaded from www.adamhall.com/compliance/

FCC STATEMENT

This equipment has been tested and found to comply with the limits for a Class B digital device, pursuant to part 15 of the FCC Rules. These limits are designed to provide reasonable protection against harmful interference in a residential installation. This equipment generates, uses and can radiate radio frequency energy and, if not installed and used in accordance with the instructions, may cause harmful interference to radio communications. However, there is no guarantee that interference will not occur in a particular installation. If this equipment does cause harmful interference to radio or television reception, which can be determined by turning the equipment off and on, the user is encouraged to try to correct the interference by one or more of the following measures:

- Reorient or relocate the receiving antenna.
- Increase the separation between the equipment and receiver.
- Connect the equipment into an outlet on a circuit different from that to which the receiver is connected.
- Consult the dealer or an experienced radio/TV technician for help.

Caution: Any changes or modifications to this device not explicitly approved by manufacturer could void your authority to operate this equipment.

This device complies with part 15 of the FCC Rules. Operation is subject to the following two conditions: (1) This device may not cause harmful interference, and (2) this device must accept any interference received, including interference that may cause undesired operation.

RF EXPOSURE INFORMATION

This equipment complies with FCC radiation exposure limits set forth for an uncontrolled environment. This equipment should be installed and operated with minimum distance 20cm between the radiator and your body.

SUBJECT TO MISPRINTS AND ERRORS, AS WELL AS TECHNICAL OR OTHER MODIFICATIONS!

SIE HABEN DIE RICHTIGE WAHL GETROFFEN!

Dieses Gerät wurde unter hohen Qualitätsanforderungen entwickelt und gefertigt, um viele Jahre einen reibungslosen Betrieb zu gewährleisten. Bitte lesen Sie diese Bedienungsanleitung sorgfältig, damit Sie Ihr neues Produkt von Cameo Light schnell und optimal einsetzen können. Weitere Informationen über Cameo Light erhalten Sie auf unserer Website **CAMEOLIGHT.COM**.

INFORMATIONEN ZU DIESER BEDIENUNGSANLEITUNG

- Lesen Sie vor Inbetriebnahme die Sicherheitshinweise und die gesamte Anleitung aufmerksam durch.
- Beachten Sie die Warnungen auf dem Gerät und in der Bedienungsanleitung.
- Bewahren Sie die Bedienungsanleitung immer in Reichweite auf.
- Wenn Sie das Gerät verkaufen oder weitergeben, händigen Sie unbedingt auch diese Bedienungsanleitung aus, da sie ein wesentlicher Bestandteil des Produkts ist.

BESTIMMUNGSGEMÄSSER GEBRAUCH

Bei dem Produkt handelt es sich um ein Gerät für die Veranstaltungstechnik!

Das Produkt ist für den professionellen Einsatz im Bereich der Veranstaltungstechnik entwickelt worden und ist nicht für die Verwendung in Haushalten geeignet!

Weiterhin ist dieses Produkt nur für qualifizierte Benutzer mit Fachkenntnissen im Umgang mit Veranstaltungstechnik vorgesehen!

Die Benutzung des Produkts außerhalb der spezifizierten technischen Daten und Betriebsbedingungen gilt als nicht bestimmungsgemäß!

Haftung für Schäden und Drittschäden an Personen und Sachen durch nicht bestimmungsgemäßen Gebrauch ist ausgeschlossen!

Das Produkt ist nicht geeignet für:

- Personen (einschließlich Kinder) mit eingeschränkten körperlichen, sensorischen oder geistigen Fähigkeiten oder mangelnder Erfahrung und Kenntnis.
- Kinder (Kinder müssen angewiesen werden, nicht mit dem Gerät zu spielen).

BEGRIFFS- UND SYMBOLERKLÄRUNGEN

1. **GEFAHR:** Mit dem Wort GEFAHR, evtl. in Kombination mit einem Symbol, wird auf unmittelbar gefährliche Situationen oder Zustände für Leib und Leben hingewiesen.
2. **WARNUNG:** Mit dem Wort WARNUNG, evtl. in Kombination mit einem Symbol, wird auf potentiell gefährliche Situationen oder Zustände für Leib und Leben hingewiesen.
3. **VORSICHT:** Mit dem Wort VORSICHT, evtl. in Kombination mit einem Symbol, wird auf Situationen oder Zustände hingewiesen, die zu Verletzungen führen können.
4. **ACHTUNG:** Mit dem Wort ACHTUNG, evtl. in Kombination mit einem Symbol, wird auf Situationen oder Zustände hingewiesen, die zu Sach- und/oder Umweltschäden führen können.



Dieses Symbol kennzeichnet Gefahren, die einen elektrischen Schlag verursachen können.



Dieses Symbol kennzeichnet Gefahrenstellen oder gefährliche Situationen.



Dieses Symbol kennzeichnet Gefahren durch heiße Oberflächen.



Dieses Symbol kennzeichnet Gefahren durch intensive Lichtquellen.



Dieses Symbol kennzeichnet ein Gerät, in dem sich keine vom Benutzer austauschbaren Teile befinden.



Dieses Symbol kennzeichnet ergänzende Informationen zur Bedienung des Produkts.

SICHERHEITSHINWEISE



GEFAHR:

1. Öffnen Sie das Gerät nicht und verändern Sie es nicht.
2. Wenn Ihr Gerät nicht mehr ordnungsgemäß funktioniert, Flüssigkeiten oder Gegenstände in das Geräteinnere gelangt sind, oder das Gerät anderweitig beschädigt wurde, schalten Sie es sofort aus und trennen es von der Spannungsversorgung. Dieses Gerät darf nur von autorisiertem Fachpersonal repariert werden.
3. Bei Geräten der Schutzklasse 1 muss der Schutzleiter korrekt angeschlossen werden. Unterbrechen Sie niemals den Schutzleiter. Geräte der Schutzklasse 2 haben keinen Schutzleiter.
4. Sorgen Sie dafür, dass spannungsführende Kabel nicht geknickt oder anderweitig mechanisch beschädigt werden.
5. Überbrücken Sie niemals die Gerätesicherung.



WARNUNG:

1. Das Gerät darf nicht in Betrieb genommen werden, wenn es offensichtliche Beschädigungen aufweist.
2. Das Gerät darf nur im spannungsfreien Zustand installiert werden.
3. Wenn das Netzkabel des Geräts beschädigt ist, darf das Gerät nicht in Betrieb genommen werden.
4. Fest angeschlossene Netzleitungen dürfen nur von einer qualifizierten Person ersetzt werden.

**ACHTUNG:**

1. Nehmen Sie das Gerät nicht in Betrieb, wenn es starken Temperaturschwankungen ausgesetzt war (beispielsweise nach dem Transport). Feuchtigkeit und Kondensat könnten das Gerät beschädigen. Schalten Sie das Gerät erst ein, wenn es Umgebungstemperatur erreicht hat.
2. Stellen Sie sicher, dass die Spannung und die Frequenz des Stromnetzes mit den auf dem Gerät angegebenen Werten übereinstimmen. Verfügt das Gerät über einen Spannungswahlschalter, schließen Sie das Gerät erst an, wenn dieser korrekt eingestellt ist. Nutzen Sie nur geeignete Netzkabel.
3. Um das Gerät allpolig vom Netz zu trennen genügt es nicht, den Ein-/Ausschalter am Gerät zu betätigen.
4. Stellen Sie sicher, dass die eingesetzte Sicherung dem auf dem Gerät abgedruckten Typ entspricht.
5. Stellen Sie sicher, dass geeignete Maßnahmen gegen Überspannung (z.B. Blitzschlag) ergriffen wurden.
6. Beachten Sie den angegebenen maximalen Ausgangsstrom an Geräten mit Power Out-Anschluss. Beachten Sie, dass die gesamte Stromaufnahme aller angeschlossenen Geräte den vorgegebenen Wert nicht überschreitet.
7. Ersetzen Sie steckbare Netzleitungen nur durch Originalleitungen.

**GEFAHR:**

1. Erstickungsgefahr! Kunststoffbeutel und Kleinteile müssen außer Reichweite von Personen (einschließlich Kindern) mit eingeschränkten körperlichen, sensorischen oder geistigen Fähigkeiten aufbewahrt werden.
2. Gefahr durch Herabfallen! Stellen Sie sicher, dass das Gerät sicher installiert ist und nicht herunterfallen kann. Verwenden Sie ausschließlich geeignete Stative bzw. Befestigungen (im Besonderen bei Festinstallationen). Stellen Sie sicher, dass Zubehör ordnungsgemäß installiert und gesichert ist. Achten Sie dabei darauf, dass geltende Sicherheitsbestimmungen eingehalten werden.

**WARNUNG:**

1. Verwenden Sie das Gerät nur in der vorgesehenen Art und Weise.
2. Betreiben Sie das Gerät nur mit dem vom Hersteller empfohlenen und vorgesehenen Zubehör.
3. Beachten Sie bei der Installation die für Ihr Land geltenden Sicherheitsvorschriften.
4. Überprüfen Sie nach dem Anschluss des Geräts alle Kabelwege, um Schäden oder Unfälle, z. B. durch Stolperfallen zu vermeiden.
5. Beachten Sie unbedingt den angegebenen Mindestabstand zu normal entflammenden Materialien! Sofern dieser nicht explizit ausgewiesen ist, beträgt der Mindestabstand 0,3 m.

**VORSICHT:**

1. Bei beweglichen Bauteilen wie Montagebügeln, oder sonstigen beweglichen Bauteilen besteht die Möglichkeit sich zu klemmen.
2. Bei Geräten mit motorisch angetriebenen Bauteilen besteht Verletzungsgefahr durch die Bewegung des Gerätes. Plötzliche Gerätebewegungen können zu Schreckreaktionen führen.
3. Die Gehäuseoberfläche des Geräts kann sich im regulären Betrieb stark erwärmen. Stellen Sie sicher, dass ein versehentliches Berühren des Gehäuses ausgeschlossen ist. Lassen Sie das Gerät vor dem Abbau, vor Wartungsarbeiten und vor dem Aufladen etc. immer ausreichend abkühlen.

**ACHTUNG:**

1. Installieren und betreiben Sie das Gerät nicht in der Nähe von Heizkörpern, Wärmespeichern, Öfen oder sonstigen Wärmequellen. Sorgen Sie dafür, dass das Gerät immer so installiert ist, dass es ausreichend gekühlt wird und nicht überhitzen kann.
2. Platzieren Sie keine Zündquellen wie z.B. brennende Kerzen in der Nähe des Geräts.
3. Lüftungsöffnungen dürfen nicht abgedeckt und Lüfter nicht blockiert werden.
4. Nutzen Sie zum Transport die Originalverpackung oder vom Hersteller dafür vorgesehene Verpackungen.
5. Vermeiden Sie, dass Erschütterung oder Schläge auf das Gerät einwirken.
6. Beachten Sie die IP-Schutzart, sowie die Umgebungsbedingungen wie Temperatur und Luftfeuchtigkeit entsprechend der Spezifizierung.
7. Geräte können stetig weiterentwickelt werden. Bei abweichenden Angaben zu Betriebsbedingungen, Leistung oder sonstigen Geräteeigenschaften zwischen Bedienungsanleitung und Gerätebeschriftung, hat immer die Angabe auf dem Gerät Priorität.
8. Das Gerät ist nicht für tropische Klimazonen und für den Betrieb oberhalb 2000 m über NN geeignet.
9. Sofern nicht explizit ausgewiesen, ist das Gerät nicht für den Betrieb unter Marinebedingungen geeignet.

**HINWEIS:**

Bei vom Hersteller vorgesehenen Um- oder Nachrüstsets bzw. Zubehör beachten Sie unbedingt die beiliegende Anleitung.

VORSICHT! WICHTIGE HINWEISE IN BEZUG AUF LICHT-PRODUKTE!



1. Blicken Sie niemals, auch nicht kurzzeitig, direkt in die Lichtquelle.
2. Blicken Sie niemals mit optischen Geräten wie Vergrößerungsgläsern in die Lichtquelle.



3. Stroboskopeffekte können bei empfindlichen Menschen epileptische Anfälle auslösen!



4. In diesen Leuchten sind fest installierte Leuchtmittel verbaut, welche nicht durch den Benutzer zu tauschen sind. Die in dieser Leuchte enthaltene Lichtquelle darf nur vom Hersteller oder seinem Servicepartner oder einer ähnlich qualifizierten Person ausgetauscht werden.

HINWEISE FÜR ORTSVERÄNDERLICHE INDOOR-GERÄTE



1. Temporärer Betrieb! Veranstaltungsequipment ist grundsätzlich nur für den vorübergehenden Betrieb konzipiert.
2. Dauerbetrieb oder dauerhafte Installation kann zur Beeinträchtigung der Funktion und vorzeitiger Alterung der Geräte führen.

LIEFERUMFANG

Entnehmen Sie das Produkt aus der Verpackung und entfernen Sie sämtliches Verpackungsmaterial. Bitte überprüfen Sie die Vollständigkeit und Unversehrtheit der Lieferung und benachrichtigen Sie Ihren Vertriebspartner bitte unverzüglich nach dem Kauf, falls die Lieferung nicht komplett oder beschädigt ist.

Im Lieferumfang des Produkts sind enthalten:

- ▶ 1 x AZOR S2 LED Moving Head
- ▶ 2 x Omega-Montagebügel
- ▶ 1 x Netzkabel
- ▶ Bedienungsanleitung

EINFÜHRUNG

LED MOVING HEAD

CLAZORS2

STEUERUNGSFUNKTIONEN:

21-Kanal Basic, 24-Kanal Standard, 28-Kanal Extended DMX-Steuerung
DMX512

W-DMX™ via optional erhältlichem Cameo iDMX-Stick

RDM

Master / Slave-Betrieb

Standalone Funktionen

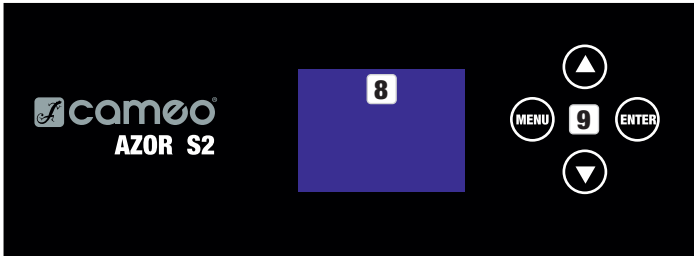
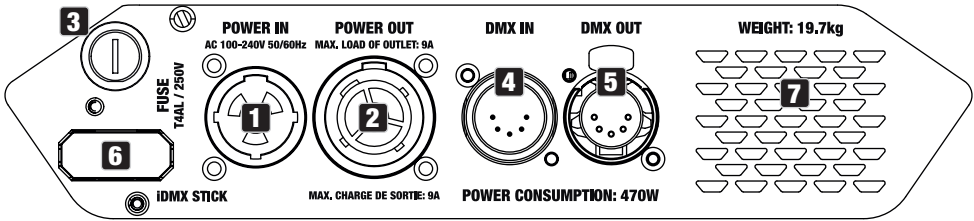
EIGENSCHAFTEN:

300 W Kaltweiß LED. CMY Farbmischung. Farbrad mit 8 Farben plus offen. 2 Goboräder mit 8 rotierbaren Gobos und 11 fixen Gobos plus offen. Zoom-, Focus-, Iris-, Prisma- und Frost-Funktion. DMX512. Anschluss für optionalen iDMX-Stick für drahtlose Steuerung via W-DMX™. 5-Pol DMX-Anschlüsse. 2 Omega-Montagebügel inklusive.

Der Scheinwerfer verfügt über den RDM-Standard (Remote Device Management). Diese Gerätefernverwaltung ermöglicht die Statusabfrage und Konfiguration von RDM-Endgeräten über einen RDM-fähigen Controller, wie den optional erhältlichen Cameo UNICON (Artikelnummer CLIREMOTE).

Das Cameo UNICON ermöglicht darüber hinaus den Zugriff auf das gesamte Scheinwerfermenü.

ANSCHLÜSSE, BEDIEN- UND ANZEIGEELEMENTE



1 POWER IN

TRUE1 kompatible Netzeingangsbuchse. Betriebsspannung 100 – 240V AC / 50 – 60Hz. Anschluss mit Hilfe des mitgelieferten Netzkabels.

2 POWER OUT

TRUE1 kompatible Netzausgangsbuchse. Dient der Netzversorgung weiterer CAMEO Scheinwerfer. Achten Sie darauf, dass die gesamte Stromaufnahme aller angeschlossenen Geräte den auf dem Gerät in Ampere (A) angegebenen Wert nicht überschreitet.

3 FUSE

Sicherungshalter für 5 x 20mm Sicherungen. **WICHTIGER HINWEIS:** Ersetzen Sie die Sicherung ausschließlich durch eine Sicherung des gleichen Typs und mit gleichen Werten. Sollte die Sicherung wiederholt auslösen, wenden Sie sich bitte an ein autorisiertes Servicezentrum.

4 DMX IN

Männliche 5-Pol XLR-Buchse zum Anschließen eines DMX-Kontrollgeräts (z.B. DMX-Pult).

5 DMX OUT

Weibliche 5-Pol XLR-Buchse zum Weiterleiten des DMX-Steuersignals.

6 IDMX STICK

Anschluss für den optional erhältlichen iDMX-Stick zur W-DMX™ Anbindung (iDMX-Stick mit der Antenne nach oben gerichtet einstecken). Beachten Sie die Einstellungen unter **Wireless** im Settings-Menü.

7 LÜFTUNGSÖFFNUNGEN

Um Schäden am Gerät zu vermeiden, decken Sie die Lüftungsöffnungen auf der Rückseite nicht ab und sorgen dafür, dass Luft ungehindert zirkulieren kann.

8 OLED-DISPLAY

Das OLED-Display zeigt die aktuell aktivierte Betriebsart (Hauptanzeige), die Menüpunkte im Menü und den Zahlenwert bzw. Betriebszustand in bestimmten Menüpunkten an. Erfolgt innerhalb von circa einer Minute keine Eingabe, wechselt die Anzeige im Display automatisch zur Hauptanzeige. Hinweis zur Hauptanzeige in den Betriebsarten mit externer Steuerung: Sobald das Steuersignal unterbrochen wird, beginnen die Zeichen im Display zu blinken, liegt das Steuersignal wieder an, stoppt das Blinken.

9 BEDIENTASTEN

MENU – Durch Drücken auf MENU gelangen Sie in das Hauptmenü. Durch nochmaliges bzw. wiederholtes Drücken gelangen Sie zurück zur Hauptanzeige. Wenn Sie auf MENU drücken, ohne eine Wert- bzw. Statusänderung durch Drücken auf ENTER zu bestätigen, wird der zuvor bestätigte Wert bzw. Status wiederhergestellt.

ENTER – Durch Drücken auf ENTER gelangen Sie auf die Menüebene, auf der Wertänderungen vorgenommen werden können und Sie erreichen die Untermenüs mit Hilfe des ENTER-Tasters. Wert- bzw. Statusänderungen bestätigen Sie ebenfalls durch Drücken auf ENTER.

▲ und ▼ – Auswählen der einzelnen Menüpunkte im Hauptmenü (DMX-Adresse, DMX-Modus usw.) und in den Untermenüs. Ermöglichen es, den Wert in einem Menüpunkt, wie z.B. die DMX-Adresse, wunschgemäß zu verändern (lange drücken = schnelle Wertänderung).

10 GRIFFMULDEN

Zusätzlich zu den beiden Transportgriffen an der Gerätebasis befinden sich praktische Griffmulden oben an den Innenseiten der beiden Gerätearme.



11 PAN LOCK

Mechanische Verriegelungsvorrichtung um beim Transport das Verdrehen des Kopfes in horizontaler Richtung zu verhindern. Trennen Sie das Gerät vom Netz, bringen den Kopf parallel zur Basis (8 mögliche Positionen) und drücken den Arretierhebel zum Verriegeln nach unten und dann in Richtung Pan-Drehachse (LOCK). Entriegeln Sie die Vorrichtung vor Inbetriebnahme des Geräts (UNLOCK).



12 TILT LOCK

Mechanische Verriegelungsvorrichtung um beim Transport das Verdrehen des Kopfes in vertikaler Richtung zu verhindern (7 mögliche Positionen). Trennen Sie das Gerät vom Netz und schieben den Arretierhebel zum Verriegeln in Richtung Tilt-Drehachse, bewegen Sie dabei den Kopf des Geräts auf vertikaler Ebene, bis eine der 7 Rastpositionen gefunden ist und der Arretierhebel einrastet (LOCK). Entriegeln Sie die Vorrichtung vor Inbetriebnahme des Geräts (UNLOCK).



- Abbildungen ähnlich -

BEDIENUNG

ANMERKUNGEN

Beim Startvorgang des Scheinwerfers wird für kurze Zeit "Update Wait", dann "Welcome to Cameo", die Modellbezeichnung und die Softwareversion im Display angezeigt. Danach werden die Motoren zurückgesetzt (Motor Reset Please Wait). Nach diesem Vorgang ist der Scheinwerfer betriebsbereit und die Betriebsart, die zuvor aktiviert war, wird gestartet.

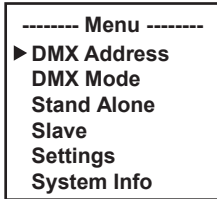
DISPLAY HAUPTANZEIGE IN DER DMX-BETRIEBSART

Die Hauptanzeige in der DMX-Betriebsart zeigt die aktuell eingestellte DMX-Startadresse an (siehe Abbildung). Falls kein DMX-Signal am Scheinwerfer anliegt, blinken die Zeichen im Display.



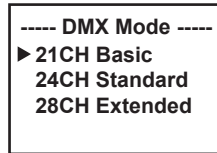
DMX-STARTADRESSE EINSTELLEN (DMX Address)

Ausgehend von der Hauptanzeige gelangen Sie durch Drücken auf MENU in das Hauptmenü. Mit Hilfe der Taster ▲ bzw. ▼ wählen Sie nun den Menüpunkt **DMX Address** aus und bestätigen mit ENTER. Stellen Sie nun die DMX-Startadresse wunschgemäß mit Hilfe von ▲ bzw. ▼ ein und bestätigen die Eingabe mit ENTER (höchster Wert abhängig von der aktuell eingestellten DMX-Betriebsart).



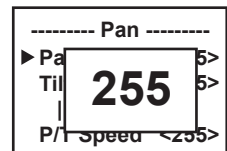
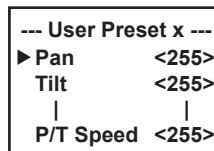
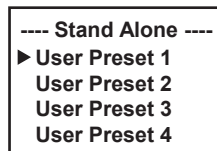
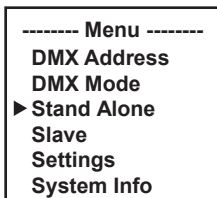
DMX-BETRIEBSART EINSTELLEN (DMX Mode)

Ausgehend von der Hauptanzeige gelangen Sie durch Drücken auf MENU in das Hauptmenü. Mit Hilfe der Taster ▲ bzw. ▼ wählen Sie nun den Menüpunkt **DMX Mode** aus und bestätigen mit ENTER. Wählen Sie wiederum mit Hilfe von ▲ bzw. ▼ die gewünschte DMX-Betriebsart aus und bestätigen mit ENTER. Tabellen mit der Kanalbelegung der verschiedenen DMX-Betriebsarten finden Sie in dieser Anleitung unter DMX STEUERUNG.



STAND-ALONE-BETRIEBSART (Stand Alone)

Vier individuell einstellbare Szenen stehen in der Stand-Alone-Betriebsart zur Verfügung. Ausgehend von der Hauptanzeige gelangen Sie durch Drücken auf MENU in das Hauptmenü. Mit Hilfe der Taster ▲ bzw. ▼ wählen Sie nun den Menüpunkt **Stand Alone** aus und bestätigen mit ENTER. Wählen Sie wiederum mit Hilfe von ▲ bzw. ▼ das gewünschte Preset aus und bestätigen mit ENTER.



Wählen Sie den gewünschten Untermenüpunkt aus, bestätigen, stellen den gewünschten Wert ein und bestätigen abermals.

User Preset X	Tilt	000	-	255	0% -> 100%
	Pan	000	-	255	0% -> 100%
	Dimmer	000	-	255	Master dimmer 0% -> 100%
	Strobe	000	-	255	Multifunctional Strobe
	Cyan	000	-	255	CMY
	Magenta	000	-	255	
	Yellow	000	-	255	
	Colour	000	-	255	Colour Wheel
	Gobo 1	000	-	255	Gobo Wheel 1
	Gobo 1 Rot	000	-	255	Gobo 1 Rotation
	Gobo 2	000	-	255	Gobo Wheel 2
	Zoom	000	-	255	Narrow -> wide
	Focus	000	-	255	0% -> 100%
	Iris	000	-	255	0% -> 100%
	PrismSelect	000	-	255	Prism selection
	Prism 1	000	-	255	Prism 1 position / rotation
	Prism 2	000	-	255	Prism 2 position / rotation
	Frost	000	-	255	0% -> 100%
	P/T Macro	000	-	255	Pan / Tilt Macro
	P/T Speed	000	-	255	Pan / Tilt Macro speed

SLAVE-BETRIEB

Ausgehend von der Hauptanzeige gelangen Sie durch Drücken auf MENU in das Hauptmenü. Mit Hilfe der Taster ▲ bzw. ▼ wählen Sie nun den Menüpunkt **Slave** aus und bestätigen mit ENTER. Verbinden Sie die Slave- und die Master-Einheit (gleiches Modell, gleicher Softwarestand) mit Hilfe eines DMX-Kabels und aktivieren Sie in der Master-Einheit eine Stand-Alone Betriebsart. Nun folgt die Slave-Einheit exakt der Master-Einheit. Das Steuersignal kann alternativ per W-DMX übertragen werden (iDMX-Stick optional erhältlich).

----- Menu -----
DMX Address
DMX Mode
Stand Alone
▶ Slave
Settings
System Info



SYSTEMEINSTELLUNGEN (Settings)

Ausgehend von der Hauptanzeige gelangen Sie durch Drücken auf MENU in das Hauptmenü. Mit Hilfe von ▲ und ▼ wählen Sie nun den Menüpunkt **Settings** aus und bestätigen mit ENTER.

----- Menu -----
DMX Address
DMX Mode
Stand Alone
Slave
▶ Settings
System Info

----- Settings -----
▶ Wireless
Display
Service

Daraufhin gelangen Sie in das Untermenü zum Einstellen der Untermenüpunkte (siehe Tabelle, Auswahl mit ▲ und ▼, bestätigen mit ENTER, Wert bzw. Status ändern mit ▲ und ▼, bestätigen mit ENTER).

Settings (Werkseinstellung)				
Wireless	Drahtlos Einstel- lungen (iD- MX-Stick optional)	iDMX State	Off	Drahtlossteuerung deaktiviert
			On	Drahtlossteuerung aktiviert
		Signal Routing	To XLR	Signal -> DMX OUT
			Backup by XLR	Backup via DMX IN bei W-DMX Signalunterbre- chung
		Receive only	Nur W-DMX Empfang	
Display	Display Einstel- lungen	Display Reverse	Off	Keine Drehung der Display-Anzeige
			On	Drehung der Display-Anzeige um 180° (z.B. Kopf- übermontage)
		Display Off Timer	Always On	Permanent an
			Off after 20s	Deaktivierung nach ca. 20 Sekunden Inaktivität
		Autolock	Off	Autolock-Funktion deaktiviert
			On	Bedienelemente nach ca. 30 Sekunden ohne Eingabe gesperrt (LOCKED). Entsperren: Ca. 3 Sekunden lang MENU drücken.

Dimmer	Dimmer-Einstellungen	Dimmer Curve	Linear	Die Lichtintensität steigt linear mit dem DMX-Wert an
			Exponential	Die Lichtintensität lässt sich im unteren DMX-Wertbereich fein und im oberen DMX-Wertbereich grob einstellen
			Logarithmic	Die Lichtintensität lässt sich im unteren DMX-Wertbereich grob und im oberen DMX-Wertbereich fein einstellen
			S-Curve	Die Lichtintensität lässt sich im unteren und oberen DMX-Wertbereich fein und im mittleren DMX-Wertbereich grob einstellen
	Dimmer Response = Dimmverhalten	Dimmer Response	LED	Der Scheinwerfer reagiert abrupt auf Änderungen des DMX-Werts
			Halogen	Der Scheinwerfer verhält sich ähnlich einem Halogenstrahler mit sanften Helligkeitsänderungen
	PWM Frequency = LED PWM Frequenz	PWM Frequency	650Hz, 1530Hz, 3600Hz, 12kHz, 18.9kHz, 25kHz	Auswählen der LED PWM Frequenz
Movement	Kopfbewegungen einstellen	Pan Reverse	Off	Keine Umkehrung der Pan Bewegungsrichtung
			On	Umkehrung der Pan Bewegungsrichtung
		Tilt Reverse	Off	Keine Umkehrung der Tilt Bewegungsrichtung
			On	Umkehrung der Tilt Bewegungsrichtung
		Pan Angle	540°	Pan Winkel 540°
			630°	Pan Winkel 630°
		Position Feedback	Off	Automatische Positionskorrektur deaktiviert
			On	Automatische Positionskorrektur aktiviert
		Move in Black	Off	Kein Blackout bei Kopfbewegung
			On	Blackout bei Kopfbewegung
		Silent Movement	Off	Funktion deaktiviert
On	Verlangsamte Motorbewegungen für leiseren Betrieb			

Wheels	Gobo-Räder und Farbrad einstellen	Gobo Wheel	Position	Clockwise	Goborad dreht immer im Uhrzeigersinn
				Shortest way	Goborad dreht den kürzesten Weg
			Movement	Snap	Goborad springt bei Erreichen des entsprechenden Werts direkt zum gewünschten Gobo
		Scroll		Stufenlose Drehung der Goboräder	
		Colour Wheel		Position	Clockwise
			Shortest way		Farbrad dreht den kürzesten Weg
	Movement		Snap	Farbrad springt bei Erreichen des entsprechenden Werts direkt zum gewünschten Farbfilter	
		Scroll	Stufenlose Drehung der Farbräder		
	Move in Black	Off	Kein Blackout bei Wertänderungen bei den Farb- und Goborädern		
			On	Blackout bei Wertänderungen bei den Farb- und Goborädern	
Fan Set	Lüftereinstellungen	Auto	Automatische Lüftersteuerung		
		Fan Off	Deaktivierter Lüfter bei stark reduzierter Helligkeit		
		Constant Low	Konstant niedrige Lüftergeschwindigkeit bei reduzierter Helligkeit, falls notwendig		
		Constant Mid	Konstant mittlere Lüftergeschwindigkeit bei reduzierter Helligkeit, falls notwendig		
		Constant High	Konstant hohe Lüftergeschwindigkeit		
Signal Fail	Betriebszustand bei DMX-Signal-Unterbrechung	Hold	Letzter Befehl wird gehalten		
		Blackout	Aktiviert Blackout		
		Fade Out 10s	10 Sekunden Fade zu Blackout		
		User Preset 1	User Preset 1 wird aktiviert		

Service	Reset-Einstellungen	Store Default	User Default A	Benutzereinstellungen A speichern
			User Default B	Benutzereinstellungen B speichern
			User Default C	Benutzereinstellungen C speichern
		Load Default	Factory Default	Zurücksetzen auf Werkseinstellungen: Reset durchführen mit ENTER, abbrechen mit MENU
			User Default A	Zurücksetzen auf User A: Reset durchführen mit ENTER, abbrechen mit MENU
			User Default B	Zurücksetzen auf User B: Reset durchführen mit ENTER, abbrechen mit MENU
	User Default C		Zurücksetzen auf User C: Reset durchführen mit ENTER, abbrechen mit MENU	
	Reset	Pan/Tilt	Pan und Tilt Motoren zurücksetzen	
		Head	Alle Motoren im Scheinwerferkopf zurücksetzen	
		All functions	Alle Motoren zurücksetzen	
	Password	Nur für Service-Zwecke		

SYSTEMINFORMATIONEN (System Info)

Ausgehend von der Hauptanzeige gelangen Sie durch Drücken auf MODE in das Hauptmenü. Mit Hilfe der Taster ▲ bzw. ▼ wählen Sie nun den Menüpunkt **System Info** aus und bestätigen mit ENTER.

----- Menu -----
DMX Address
DMX Mode
Stand Alone
Slave
Settings
▶ System Info

---- System Info ----
▶ Firmware
Sensor
Operation Hours
Errors

Daraufhin gelangen Sie in das Untermenü zum Aufrufen der Systeminformationen (siehe Tabelle, Auswahl mit ▲ bzw. ▼, bestätigen mit ENTER, Status ändern mit ▲ bzw. ▼, bestätigen mit ENTER).

Info		
Firmware	1U	V1.x.x
	2U	V1.x.x
	3U	V1.x.x
	4U	V1.x.x
	5U	V1.x.x
	6U	V1.x.x

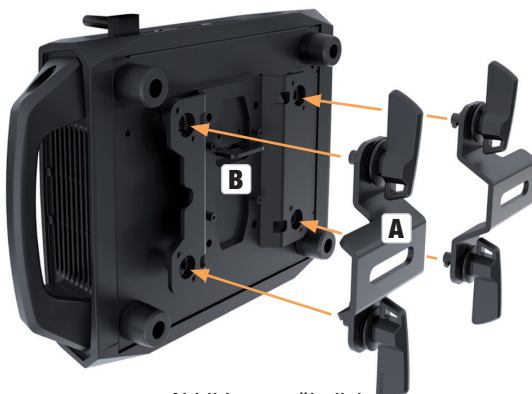
Sensor	Temperature	LED	xx°C / xx°F
		Base	xx°C / xx°F
	Temperature Unit	°C	Grad Celsius
		°F	Grad Fahrenheit
	Fan Speed	LED	Lüfterumdrehungen LED xxxxRPM
Motor		Lüfterumdrehungen Motoren xxxxRPM	
Base		Lüfterumdrehungen Gerätebasis xxxxRPM	
Operation Hours	Operation Time	xxxx:xxh	Gesamtbetriebszeit
	LED Time	xxxx:xxh	Betriebszeit der LED-Einheit
Errors	Fehleranzeige im Fehlerfall		

AUFSTELLUNG UND MONTAGE



GEFAHR: Überkopfmontage erfordert umfassende Erfahrung, einschließlich der Berechnung der Grenzwerte für die Arbeitslast, des verwendeten Installationsmaterials und der regelmäßigen Sicherheitsüberprüfung aller Installationsmaterialien und Scheinwerfer. Wenn Sie diese Qualifikationen nicht haben, versuchen Sie nicht, eine Installation selbst durchzuführen, sondern nutzen Sie die Hilfe von professionellen Unternehmen. Es besteht die Gefahr, dass sich nicht korrekt montierte und gesicherte Geräte lösen und herabfallen. Dadurch können Personen schwer verletzt oder getötet werden.

Dank der integrierten Gummifüße kann der Scheinwerfer an einer geeigneten Stelle auf eine ebene Fläche gestellt werden. Die Montage an einer Traverse erfolgt mit Hilfe zweier Omega-Bügel, die an der Gerätebasis befestigt werden (A). Zwei Omega-Bügel sind im Lieferumfang enthalten, geeignete Traversenklemmen sind optional erhältlich. Sorgen Sie für feste Verbindungen und sichern Sie den Scheinwerfer mit einem geeigneten Sicherungsseil an der dafür vorgesehenen Stelle (B).



- Abbildungen ähnlich -

PFLEGE, WARTUNG UND REPARATUR

Um die einwandfreie Funktion des Geräts auf Dauer zu gewährleisten, muss es regelmäßig gepflegt und bei Bedarf gewartet werden. Der Pflege- bzw. Wartungsbedarf steht in Abhängigkeit der Nutzungsintensität und -umgebung.

Wir empfehlen generell eine Sichtprüfung vor jeder Inbetriebnahme. Weiterhin empfehlen wir alle 500 Betriebsstunden, oder bei geringerer Nutzungsintensität spätestens nach Ablauf eines Jahres alle unten genannten und zutreffenden Pflegemaßnahmen durchzuführen. Bei Mängeln, die auf eine unzureichende Pflege zurückzuführen sind, kann es zu Einschränkungen der Garantieansprüche kommen.

PFLEGE (vom Anwender durchführbar)



WARNUNG! Vor jeglichen Pflegemaßnahmen müssen die Spannungsversorgung und sofern möglich sämtliche Geräteverbindungen getrennt werden.



HINWEIS! Unsachgemäße Pflege kann zu Beeinträchtigung des Gerätes führen bis hin zur Zerstörung.

1. Gehäuseoberflächen müssen mit einem sauberen, feuchten Tuch gereinigt werden. Dabei ist darauf zu achten, dass keine Feuchtigkeit in das Gerät eindringen kann.
2. Luft Ein- und Austrittsöffnungen müssen regelmäßig von Staub und Schmutz befreit werden. Im Fall des Einsatzes von Druckluft ist darauf zu achten, dass Beschädigungen am Gerät verhindert werden (z.B. müssen Lüfter für diesen Fall blockiert werden)
3. Leitungen und Steckkontakte sind regelmäßig zu reinigen und von Staub und Schmutz zu befreien.
4. Es dürfen generell keine Reinigungsmittel oder Mittel mit schleifender Wirkung zur Pflege verwendet werden, andernfalls ist mit Beeinträchtigung der Oberflächenbeschaffenheit zu rechnen.
5. Geräte sind generell trocken zu lagern und vor Staub und Verschmutzung zu schützen.

WARTUNG UND REPARATUR (nur durch Fachpersonal)



GEFAHR! Im Gerät befinden sich Spannungsführende Bauteile. Auch nach Trennung der Netzverbindung kann noch Restspannung im Gerät vorhanden sein, z.B. durch geladene Kondensatoren.



HINWEIS! Im Gerät befinden sich keine für den Anwender zu wartenden Baugruppen.



HINWEIS! Wartungs- und Reparaturmaßnahmen dürfen nur vom Hersteller autorisiertem Fachpersonal durchgeführt werden. Im Zweifel wenden Sie sich an den Hersteller.



HINWEIS! Unsachgemäß ausgeführte Wartungsarbeiten können den Gewährleistungsanspruch beeinträchtigen.

ABMESSUNGEN (mm)

ENGLISH

DEUTSCH

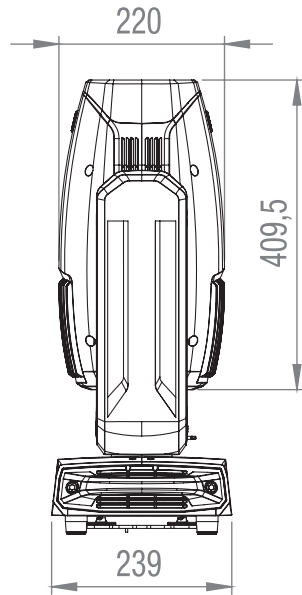
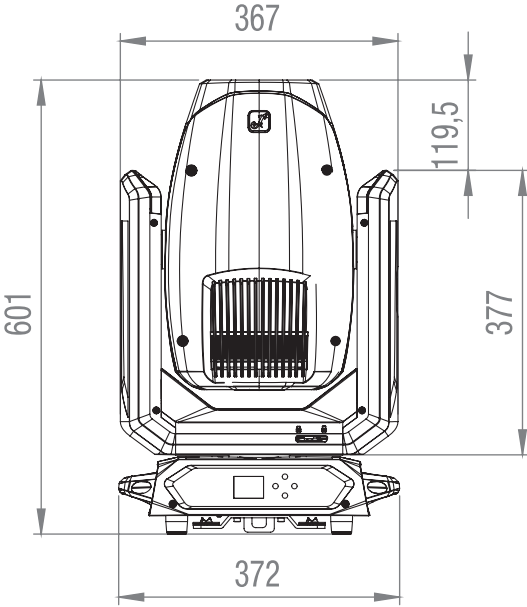
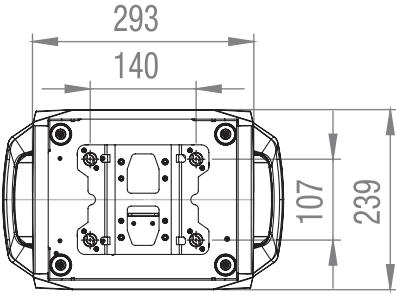
FRANCAIS

ESPAÑOL

POLSKI

ITALIANO

DMX



TECHNISCHE DATEN

ARTIKELNUMMER:	GLAZORS2
Produktart:	LED Moving Light
Typ:	Spot
Farbspektrum LED:	Kaltweiß 6800K
LED Anzahl:	1
LED Typ:	300W
Abstrahlwinkel (Halbstreu- winkel):	5° – 50°
Farbmischsystem:	CMY
Anzahl Farben:	8 + offen und stufenlosen Farbradpositierung
Anzahl Gobos:	11 fix + 8 rotierbar & indizierbar + offen
PWM Frequenz:	650 Hz; 1530 Hz; 3600 Hz; 12 kHz; 18,9 kHz; 25 kHz
DMX-Eingang:	5-Pol XLR männlich
DMX-Ausgang:	5-Pol XLR weiblich
DMX-Modus:	21-CH Basic, 24-CH Standard, 28-CH Extended
DMX Funktionen:	Pan/Tilt, Pan/Tilt fein, Dimmer, Dimmer fein, Stroboskop, Cyan, Magenta, Gelb, Farbrad, Goborad 1, Goborad 1 Rotation, Goborad 1 Rotation fein, Goborad 2, Zoom, Zoom fein, Focus, Focus fein, Iris, Prismenauswahl, Prisma 1, Prisma 2, Frost, Geräteeinstellungen
Stand-Alone Funktionen:	User Preset 1-4, Master/Slave Betrieb
Steuerung:	DMX512, RDM, iDMX Stick kompatibel
Pan Winkel:	540° / 630°
Tilt Winkel:	270°
Bedienelemente:	MENU, ENTER, Pfeil nach oben, Pfeil nach unten
Anzeigeelemente:	OLED Display
Betriebsspannung:	100 – 240 V AC / 50 - 60 Hz
Leistungsaufnahme:	470W
Lichtstrom:	11000lm
Stromversorgungs- anschluss:	True1 kompatibler Ein- und Ausgang (Max. Ausgangsstrom 12A)
Sicherung:	T4AL 250V (5 x 20mm)
Umgebungstemperatur (in Betrieb):	0°C – 40°C
Relative Luftfeuchtigkeit:	< 85%, nicht kondensierend
Mindestabstand zur beleuchteten Fläche:	3 m

ENGLISH

DEUTSCH

FRANCAIS

ESPAÑOL

POLSKI

ITALIANO

DMX

ARTIKELNUMMER: CLAZORS2

Mindestabstand zu normal entflamm-
baren Materialien: 0,5 m

Gehäusematerial: Metall, ABS

Gehäusefarbe: schwarz

IP Schutzart: IP20

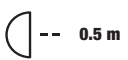
Gehäusekühlung: temperaturgesteuerte Lüfter

Abmessungen (B x H x T, ohne Montagebügel): 372 x 601 x 239mm

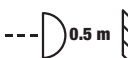
Gewicht: 19,7kg

Weitere Eigenschaften: 1m Netzkabel mit True1 kompatibel Stecker
und 2 x Omega-Montagebügel im Lieferumfang enthalten

MINDESTABSTAND ZUR BELEUCHTETEN FLÄCHE

 Dieses Symbol mit Entfernungsangabe in Metern (m) gibt den Mindestabstand des Leuchtkörpers zur beleuchteten Fläche an. In diesem Beispiel beträgt der Abstand 0,5 m. Den für dieses Gerät gültigen Wert entnehmen Sie bitte den technischen Daten in dieser Anleitung und dem Aufdruck auf dem Gerätegehäuse!

MINDESTABSTAND ZU NORMAL ENTLAMMBAREN MATERIALIEN

 Dieses Symbol mit Entfernungsangabe in Metern (m) gibt den Mindestabstand des Geräts zu normal entflamm-
baren Materialien an. In diesem Beispiel beträgt der Abstand 0,5 m. Den für dieses Gerät gültigen Wert entnehmen Sie bitte den technischen Daten in dieser Anleitung!

ENTSORGUNG



Verpackung:

1. Verpackungen können über die üblichen Entsorgungswege dem Wertstoffkreislauf zugeführt werden.
2. Bitte trennen Sie die Verpackung entsprechend der Entsorgungsgesetze und Wertstoffverordnungen in Ihrem Land.



Gerät:

1. Dieses Gerät unterliegt der europäischen Richtlinie für Elektro- und Elektronik-Altgeräte in der jeweils geltenden aktuellen Fassung. WEEE-Richtlinie Waste Electrical and Electronical Equipment. Altgeräte gehören nicht in den Hausmüll. Das Altgerät muss über einen zugelassenen Entsorgungsbetrieb oder eine kommunale Entsorgungseinrichtung entsorgt werden. Bitte beachten Sie geltende Vorschriften in Ihrem Land!
2. Beachten Sie alle in Ihrem Land geltenden Entsorgungsgesetze und Vorschriften.
3. Als Privatkunde erhalten Sie Informationen zu umweltfreundlichen Entsorgungsmöglichkeiten über den Händler, bei dem das Produkt erworben wurde, oder über die entsprechenden regionalen Behörden.

HERSTELLERERKLÄRUNGEN

HERSTELLERGARANTIE & HAFTUNGSBESCHRÄNKUNG

Adam Hall GmbH, Adam-Hall-Str. 1, D-61267 Neu Anspach / E-Mail Info@adamhall.com / +49 (0)6081/9419-0.

Unsere aktuellen Garantiebedingungen und Haftungsbeschränkung finden Sie unter: https://cdn-shop.adamhall.com/media/pdf/Manufacturers-Declarations-CAMEO_DE_EN_ES_FR.pdf. Im Servicefall wenden Sie sich an Ihren Vertriebspartner.

CE-KONFORMITÄT

Hiermit erklärt die Adam Hall GmbH, dass dieses Produkt folgender Richtlinie entspricht (soweit zutreffend):

Niederspannungsrichtlinie (2014/35/EU)

EMV-Richtlinie (2014/30/EU)

RoHS (2011/65/EU)

RED (2014/53/EU)

CE-KONFORMITÄTSEKTLÄRUNG

Konformitätserklärungen für Produkte, die der LVD, EMC, RoHS-Richtlinie unterliegen, können unter info@adamhall.com angefragt werden.

Konformitätserklärungen für Produkte, die der RED-Richtlinie unterliegen, können unter www.adamhall.com/compliance/ heruntergeladen werden.

DRUCKFEHLER UND IRRTÜMER, SOWIE TECHNISCHE ODER SONSTIGE ÄNDERUNGEN SIND VORBEHALTEN!

VOUS AVEZ FAIT LE BON CHOIX !

Cet appareil a été conçu et produit suivant des exigences de qualité très strictes pour fonctionner pendant de nombreuses années. Veuillez lire attentivement ce manuel d'utilisation pour pouvoir utiliser rapidement et de manière optimale votre nouveau produit Cameo Light. Vous trouverez de plus amples informations sur Cameo Light sur notre site Web **CAMEOLIGHT.COM**.

INFORMATIONS CONCERNANT CE MANUEL D'UTILISATION

- Lisez attentivement les consignes de sécurité et l'ensemble du manuel avant la mise en service.
- Respectez les avertissements figurant sur l'appareil et dans le manuel d'utilisation.
- Conservez toujours le manuel d'utilisation à portée de main.
- Si vous vendez ou transmettez l'appareil, remettez également impérativement ce manuel d'utilisation, celui-ci constituant un élément essentiel du produit.

UTILISATION CONFORME

Ce produit est un appareil dédié à la technique événementielle !

Il a été conçu pour un usage professionnel dans le domaine de la technique événementielle et ne convient pas à une utilisation domestique !

De plus, ce produit est destiné uniquement aux utilisateurs qualifiés possédant des connaissances spécialisées en matière de technique événementielle !

L'utilisation du produit en dehors des caractéristiques techniques et des conditions de fonctionnement spécifiées est considérée comme non conforme !

Toute responsabilité pour des dommages corporels et matériels dus à une utilisation non conforme est exclue !

Le produit n'est pas adapté :

- aux personnes (y compris les enfants) ayant des capacités physiques, sensorielles ou intellectuelles limitées ou un manque d'expérience et de connaissances ;
- aux enfants (il doit leur être interdit de jouer avec l'appareil).

EXPLICATIONS DES TERMES ET DES SYMBOLES

1. **DANGER** : la mention DANGER, éventuellement associée à un symbole, signale des situations ou circonstances de danger immédiat menaçant la vie ou l'intégrité corporelle.
2. **AVERTISSEMENT** : la mention AVERTISSEMENT, éventuellement associée à un symbole, signale des situations ou circonstances de danger potentiel menaçant la vie ou l'intégrité corporelle.
3. **PRUDENCE** : la mention PRUDENCE, éventuellement associée à un symbole, signale des situations ou circonstances pouvant entraîner des blessures.
4. **ATTENTION** : le mot ATTENTION, éventuellement associé à un symbole, signale des situations ou circonstances pouvant entraîner des dommages matériels et/ou environnementaux.



Ce symbole indique un danger susceptible de provoquer une décharge électrique.



Ce symbole indique une zone ou une situation dangereuse.



Ce symbole indique des dangers liés à des surfaces chaudes.



Ce symbole signale des dangers liés à des sources lumineuses intenses.



Ce symbole indique que l'appareil ne contient aucune pièce remplaçable par l'utilisateur.



Ce symbole indique des informations complémentaires sur l'utilisation du produit.

CONSIGNES DE SÉCURITÉ



DANGER :

1. Ne pas ouvrir ni modifier l'appareil.
2. Si l'appareil ne fonctionne plus en bonne et due forme, si des liquides ou des objets s'infiltrent dans l'appareil ou si ce dernier est endommagé de quelque autre manière que ce soit, l'éteindre et le débrancher aussitôt de l'alimentation électrique. Seuls des professionnels agréés sont habilités à réparer cet appareil.
3. Pour les appareils de classe de protection 1, le conducteur de protection doit être correctement raccordé. Ne jamais débrancher le conducteur de protection. Les appareils de classe de protection 2 ne sont équipés d'aucun conducteur de protection.
4. Veiller à ce que les câbles sous tension ne soient pas pliés ou soumis à d'autres dommages mécaniques.
5. Ne jamais court-circuiter le fusible de l'appareil.



AVERTISSEMENT :

1. L'appareil ne doit pas être mis en service s'il présente des dommages apparents.
2. L'appareil ne doit être installé que lorsqu'il est hors tension.
3. Si le câble réseau de l'appareil est endommagé, l'appareil ne doit pas être mis en service.
4. Les câbles d'alimentation fixes ne doivent être remplacés que par une personne qualifiée.



ATTENTION :

1. Ne pas mettre l'appareil en service s'il a été exposé à d'importantes variations de température (par exemple après le transport). L'humidité et la condensation risquent d'endommager l'appareil. N'allumer l'appareil que lorsqu'il est à température ambiante.
2. S'assurer que la tension et la fréquence du réseau électrique correspondent aux valeurs indiquées sur l'appareil. Si l'appareil est équipé d'un sélecteur de tension, le raccorder uniquement une fois les réglages appropriés effectués. Utiliser exclusivement des câbles réseau appropriés.
3. Pour déconnecter complètement l'appareil du réseau, il ne suffit pas d'appuyer sur l'interrupteur marche/arrêt de l'appareil.
4. S'assurer que le fusible installé correspond au type imprimé sur l'appareil.
5. S'assurer que des mesures appropriées ont été prises contre les surtensions (p. ex. par la foudre).
6. Respecter le courant de sortie maximal indiqué sur les appareils munis d'une prise Power Out (sortie d'alimentation). Veiller à ce que le courant total absorbé par tous les appareils raccordés ne dépasse pas la valeur prescrite.
7. Remplacer les câbles d'alimentation enfichables uniquement par des câbles d'origine.



DANGER :

1. Risque d'étouffement ! Les sachets en plastique et les petites pièces doivent être conservés hors de portée des personnes (y compris les enfants) ayant des capacités physiques, sensorielles ou intellectuelles limitées.
2. Risque de chute ! S'assurer que l'appareil est solidement installé et qu'il ne risque pas de chuter. Utiliser exclusivement des trépieds ou fixations appropriés (en particulier pour les installations fixes). S'assurer que les accessoires sont correctement installés et fixés. Veiller à respecter les consignes de sécurité en vigueur.



AVERTISSEMENT :

1. Utiliser uniquement cet appareil conformément à l'usage prévu.
2. Utiliser uniquement cet appareil avec les accessoires recommandés et prévus par le fabricant.
3. Lors de l'installation, veiller à respecter les prescriptions de sécurité en vigueur dans votre pays.
4. Après avoir raccordé l'appareil, vérifier tous les chemins de câbles pour éviter tout dommage ou accident par trébuchement, par exemple.
5. Respecter impérativement la distance minimale indiquée avec des matériaux normalement inflammables ! Sauf indication explicite, la distance minimale est de 0,3 m.

**PRUDENCE :**

1. Il existe un risque de pincement dans des pièces mobiles telles que des étriers de montage ou d'autres pièces mobiles.
2. Pour les appareils équipés de composants entraînés par moteur, il existe un risque de blessure dû aux mouvements de l'appareil. Des mouvements soudains de l'appareil peuvent provoquer des réactions brutales.



3. La surface du boîtier de l'appareil peut fortement s'échauffer pendant le fonctionnement normal. Veiller à éviter tout contact accidentel avec le boîtier. Laisser toujours l'appareil refroidir suffisamment avant le démontage, les travaux de maintenance, le chargement, etc.

**ATTENTION :**

1. Ne pas installer ni utiliser l' à proximité de radiateurs, d'accumulateurs thermiques, de fours ou d'autres sources de chaleur. Veiller à installer l'appareil de façon à assurer en permanence un refroidissement suffisant et à éviter une surchauffe.
2. Ne pas placer de sources d'ignition à proximité de l'appareil, telles que des bougies allumées.
3. Les orifices de ventilation ne doivent pas être recouverts et les ventilateurs ne doivent pas être bloqués.
4. Pour le transport, utiliser l'emballage d'origine ou les emballages prévus à cet effet par le fabricant.
5. Éviter de secouer ou de heurter l'appareil.
6. Respecter l'indice de protection IP ainsi que les conditions ambiantes telles que la température et l'humidité conformément aux spécifications.
7. Les appareils peuvent être perfectionnés en permanence. En cas de divergence des conditions de fonctionnement, des performances ou d'autres caractéristiques de l'appareil entre le manuel d'utilisation et l'étiquette de l'appareil, l'indication sur l'appareil est toujours prioritaire.
8. L'appareil ne doit pas être utilisé dans des zones climatiques tropicales ni à des altitudes supérieures à 2 000 m au-dessus du niveau de la mer.
9. Sauf indication contraire, l'appareil n'est pas adapté à une utilisation dans un environnement maritime.

**REMARQUE :**

Pour les kits de transformation/de postéquipement ou les accessoires prévus par le fabricant, respecter impérativement la notice jointe.

ATTENTION ! REMARQUES IMPORTANTES CONCERNANT LES SYSTÈMES D'ÉCLAIRAGE !



1. Ne jamais regarder directement le faisceau lumineux, même pour une courte durée.
2. Ne jamais regarder le faisceau lumineux avec des instruments optiques tels que des verres grossissants.



3. Les effets stroboscopiques sont susceptibles de déclencher des réactions épileptiques chez les personnes sensibles !



4. Ces lampes intègrent des sources lumineuses fixes qui ne doivent pas être remplacées par l'utilisateur. La source lumineuse contenue dans cette lampe ne doit être remplacée que par le fabricant, l'un de ses partenaires de service ou toute autre personne ayant les qualifications requises.

REMARQUES CONCERNANT LES APPAREILS D'INTÉRIEUR MOBILES



1. Fonctionnement temporaire ! L'équipement événementiel est conçu uniquement pour une utilisation temporaire.
2. Le fonctionnement continu ou l'installation permanente peut altérer le fonctionnement et entraîner le vieillissement prématuré des appareils.

CONTENU DE LA LIVRAISON

Retirer le produit de son emballage ainsi que tous les matériaux d'emballage.

S'assurer que la livraison est complète et de l'absence de dommage ; dans le cas contraire, informer votre partenaire commercial aussitôt après l'achat.

Contenu de la livraison :

- ▶ 1 lyre à LED AZOR S2
- ▶ 2 omégas de fixation
- ▶ 1 câble réseau
- ▶ Manuel d'utilisation

INTRODUCTION**LYRE À LED**

CLAZORS2

FONCTIONS DE PILOTAGE :

Pilotage DMX 21 canaux en mode de base, 24 canaux en mode standard, 28 canaux en mode étendu

DMX512

W-DMX™ via la clé iDMX Cameo disponible en option

RDM

Fonctionnement en mode maître-esclave.

Fonctions Standalone (mode autonome)

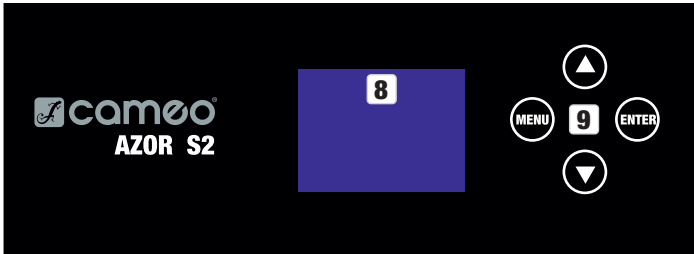
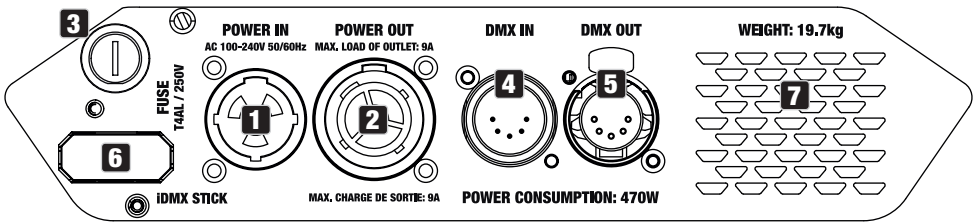
CARACTÉRISTIQUES :

LED blanc froid 300 W. Mélange de couleurs CMY. Roue chromatique de 8 couleurs plus libre. 2 roues de gobos avec 8 gobos rotatifs et 11 gobos statiques plus libre. Fonctions Zoom, Focus, Iris, Prisme et Frost. DMX512. Connexion pour clé iDMX en option pour le pilotage sans fil via W-DMX™. Connecteurs DMX 5 broches. 2 omégas de fixation inclus.

Le projecteur est équipé de la technologie standard RDM (Remote Device Management). Cette gestion à distance des appareils permet de consulter l'état de fonctionnement des terminaux RDM et de les configurer via un contrôleur compatible RDM, comme le Cameo UNICON disponible en option (référence CLIREMOTE).

Le Cameo UNICON permet en outre d'accéder à l'ensemble du menu des projecteurs.

RACCORDEMENTS, ÉLÉMENTS DE COMMANDE ET D’AFFICHAGE



1 POWER IN (ENTRÉE D’ALIMENTATION)

Prise d’entrée compatible TRUE1. Tension de fonctionnement 100 - 240 V CA/50 - 60 Hz. Raccordement à l’aide du cordon d’alimentation fourni.

2 POWER OUT (SORTIE D’ALIMENTATION)

Embase secteur de sortie compatible TRUE1. Permet d’alimenter d’autres projecteurs CAMEO. Veiller à ce que la consommation totale de tous les appareils connectés ne dépasse pas la valeur en ampères (A) indiquée sur l’appareil.

3 FUSE (FUSIBLE)

Porte-fusible pour fusibles de 5 x 20 mm. REMARQUE IMPORTANTE : Remplacer le fusible exclusivement par un fusible de même type et de même valeur. Si le fusible saute de façon récurrente, contacter un centre de réparation agréé.

4 DMX IN (entrée DMX)

Connecteur XLR mâle à 5 broches pour le raccordement d’un contrôleur DMX (par ex. console DMX).

5 DMX OUT (SORTIE DMX)

Connecteur XLR femelle à 5 broches pour le renvoi du signal de commande DMX.

6 IDMX STICK

Connecteur pour la clé iDMX disponible en option pour la connexion W-DMX™ (enficher la clé iDMX avec l'antenne orientée vers le haut). Reportez-vous à la section **Wireless** du menu Paramètres.

7 ORIFICES DE VENTILATION

Pour éviter d'endommager l'appareil, ne pas couvrir les orifices de ventilation à l'arrière et veiller à ce que l'air puisse circuler librement.

8 ÉCRAN OLED

L'écran OLED affiche le mode de fonctionnement actuellement activé (écran principal), les options du menu et la valeur numérique ou l'état de fonctionnement dans certaines options de menu. Au bout d'environ une minute d'inactivité, l'écran principal s'affiche automatiquement. Remarque concernant l'affichage principal dans les modes de fonctionnement avec pilotage externe : Si le signal de commande est interrompu, les caractères à l'écran se mettent à clignoter. Ils cessent de clignoter dès que le signal de pilotage est rétabli.

9 TOUCHES DE COMMANDE

MENU – Appuyer sur MENU pour accéder au menu principal. Appuyer une nouvelle fois/plusieurs fois sur la touche pour revenir à l'écran principal. En cas d'actionnement de la touche MENU, si les modifications de valeur ou d'état n'ont pas été confirmées au préalable par une pression sur la touche ENTER, la valeur ou l'état précédemment confirmé(e) est rétabli(e).

ENTER – Appuyer sur ENTER pour accéder au niveau de menu permettant de modifier des valeurs. La touche ENTER permet aussi d'atteindre les sous-menus. Appuyer également sur ENTER pour confirmer les modifications de valeur ou d'état.

▲ et ▼ – Sélection des différentes options du menu principal (adresse DMX, mode de fonctionnement, etc.) et des sous-menus. Permettent de modifier la valeur d'une option de menu (par ex. adresse de départ DMX) selon les besoins (appui long = changement rapide de la valeur).

10 POIGNÉES MOULÉES

Les deux poignées de transport sur la base de l'appareil sont complétées par des poignées moulées pratiques situées en haut, sur les faces intérieures des deux bras de l'appareil.



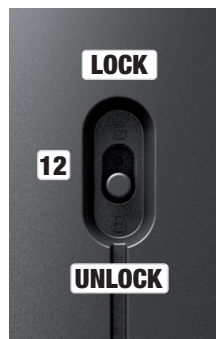
11 PAN LOCK (VERROUILLAGE PANORAMIQUE)

Dispositif de verrouillage mécanique pour empêcher la rotation de la tête sur le plan horizontal lors du transport. Débrancher l'appareil du secteur, orienter la tête de sorte qu'elle soit parallèle à la base (8 positions possibles) et appuyer sur le levier de blocage vers le bas, puis en direction de l'axe de rotation Pan pour procéder au verrouillage (LOCK). Déverrouillez le dispositif avant la mise en service de l'appareil (UNLOCK).



12 TILT LOCK (VERROUILLAGE D'INCLINAISON)

Dispositif de verrouillage mécanique pour empêcher la rotation de la tête sur le plan vertical lors du transport (7 positions possibles). Débranchez l'appareil du secteur et poussez le levier de blocage en direction de l'axe de rotation Tilt pour procéder au verrouillage. Pour ce faire, déplacez la tête de l'appareil sur le plan vertical jusqu'à ce que l'une des 7 positions de blocage soit atteinte et que le levier de blocage s'enclenche (LOCK). Déverrouillez le dispositif avant la mise en service de l'appareil (UNLOCK).



- Illustrations non contractuelles -

UTILISATION

REMARQUES

Lors du démarrage du projecteur, les messages « Update Wait » et « Welcome to Cameo », la désignation du modèle et la version du logiciel s'affichent brièvement à l'écran. Les moteurs sont ensuite réinitialisés (« Motor Reset Please Wait »). Le projecteur est ensuite opérationnel et le mode de fonctionnement précédemment activé est lancé.

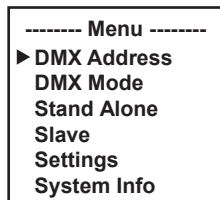
AFFICHAGE PRINCIPAL EN MODE DMX

En mode DMX, l'écran principal affiche l'adresse de départ DMX paramétrée (voir illustration). En l'absence de signal DMX sur le projecteur, les caractères à l'écran clignotent.

DMX Address
001

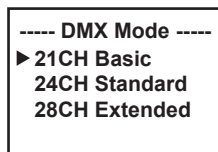
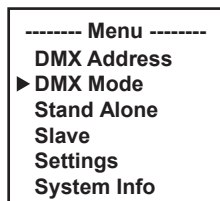
RÉGLAGE DE L'ADRESSE DE DÉPART DMX (DMX Address)

À partir de l'écran principal, appuyez sur MENU pour accéder au menu principal. À l'aide des touches ▲ et ▼, sélectionnez l'option de menu **DMX Address**, puis confirmez avec ENTER. Réglez ensuite l'adresse de départ DMX selon les besoins à l'aide des touches ▲ et ▼, puis confirmer la saisie en appuyant sur ENTER (la valeur maximale dépend du mode de fonctionnement DMX actuellement réglé).



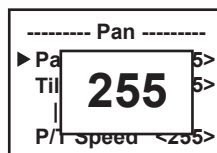
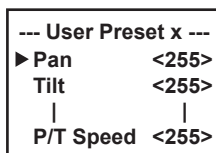
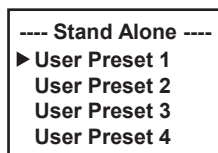
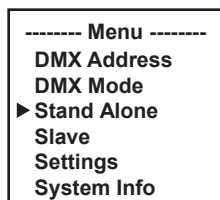
RÉGLAGE DU MODE DE FONCTIONNEMENT DMX (DMX Mode)

À partir de l'écran principal, appuyez sur MENU pour accéder au menu principal. À l'aide des touches ▲ et ▼, sélectionnez l'option de menu **DMX MODE** et confirmez en cliquant sur ENTER. Utilisez de nouveau les touches ▲ et ▼ pour sélectionner le mode de fonctionnement DMX souhaité, puis confirmer avec ENTER. Les tableaux d'affectation des canaux correspondant aux différents modes DMX figurent dans la section PILOTAGE EN MODE DMX de ce manuel.



MODE DE FONCTIONNEMENT AUTONOME (Stand Alone)

Quatre scènes réglables individuellement sont disponibles en mode Stand Alone. À partir de l'écran principal, appuyer sur MENU pour accéder au menu principal. À l'aide des touches ▲ ou ▼, sélectionner ensuite l'option de menu **Stand Alone** et appuyer sur ENTER pour confirmer. Utiliser à nouveau les touches ▲ et ▼ pour sélectionner le preset souhaité et appuyer sur ENTER pour confirmer.



Sélectionner l'option de sous-menu souhaitée, confirmer, régler la valeur souhaitée et confirmer à nouveau.

Preset utilisateur X	Tilt	000	-	255	0 % -> 100 %
	Pan	000	-	255	0% -> 100%
	Dimmer	000	-	255	Master dimmer 0% -> 100%
	Strobe	000	-	255	Multifunctional Strobe
	Cyan	000	-	255	CMY
	Magenta	000	-	255	
	Yellow	000	-	255	
	Colour	000	-	255	Colour Wheel
	Gobo 1	000	-	255	Gobo Wheel 1
	Gobo 1 Rot.	000	-	255	Gobo 1 Rotation
	Gobo 2	000	-	255	Gobo Wheel 2
	Zoom	000	-	255	Narrow -> wide
	Focus	000	-	255	0 % -> 100 %
	Iris	000	-	255	0 % -> 100 %
	PrismSelect	000	-	255	Prism selection
	Prism 1	000	-	255	Prism 1 position/rotation
	Prism 2	000	-	255	Prism 2 position/rotation
	Frost	000	-	255	0 % -> 100 %
P/T Macro	000	-	255	Pan / Tilt Macro	
P/T Speed	000	-	255	Pan / Tilt Macro speed	

MODE SLAVE

À partir de l'écran principal, appuyez sur MENU pour accéder au menu principal. À l'aide des touches ▲ et ▼, sélectionner l'option de menu **Slave** et confirmer en cliquant sur ENTER. Connecter les unités Slave et Master (même modèle, même version de logiciel) à l'aide d'un câble DMX. Sur le Master, activer l'un des deux modes de fonctionnement Stand Alone proposés. L'unité Slave suit maintenant exactement l'unité Master. Le signal de commande peut également être transmis par W-DMX (clé iDMX disponible en option).

----- Menu -----
DMX Address
DMX Mode
Stand Alone
▶ Slave
Settings
System Info



PARAMÈTRES DU SYSTÈME (Settings)

À partir de l'écran principal, appuyez sur MENU pour accéder au menu principal. À l'aide des touches ▲ et ▼, sélectionner ensuite l'option de menu **Settings**, puis confirmer avec ENTER.

----- Menu -----
DMX Address
DMX Mode
Stand Alone
Slave
▶ Settings
System Info

----- Settings -----
▶ Wireless
Display
Service

Cela permet d'accéder au sous-menu destiné au réglage des options de sous-menu suivantes (voir tableau, sélectionner avec ▲ et ▼, confirmer avec ENTER, modifier la valeur ou l'état avec ▲ et ▼, confirmer avec ENTER).

Settings (réglages d'usine)				
Wireless	Paramètres sans fil (clé iDMX en option)	iDMX State	Off	Commande sans fil désactivée
			On	Commande sans fil activée
		Signal Routing	To XLR	Signal -> DMX OUT
			Backup by XLR	Sauvegarde via DMX IN en cas d'interruption du signal W-DMX
	Receive only	Réception W-DMX uniquement		
Écran	Paramétrages de l'écran	Display Reverse	Off	Pas de rotation de l'affichage
			On	Rotation à 180 ° de l'affichage de l'écran (par ex. en cas de montage tête en bas)
		Display Off Timer	Always On	Allumé en permanence
			Off after 20s	Désactivation au bout d'env. 20 secondes d'inactivité
		Autolock	Off	Fonction de verrouillage automatique désactivée
			On	Éléments de commande verrouillés après env. pendant 30 secondes sans saisie (LOCKED). Déverrouillage : dont Appuyer sur MENU pendant 3 secondes env.

Dimmer	Paramètres de dimmer Dimmer Curve = courbe de dimmer Dimmer Response = comportement de dimmer PWM Frequency = fréquence du signal PWM des LED	Dimmer Curve	Linear	L'intensité lumineuse augmente de façon linéaire avec la valeur DMX
			Exponential	L'intensité lumineuse peut être réglée de façon précise dans la plage de valeurs DMX inférieure et de façon approximative dans la plage de valeurs DMX supérieure
			Logarithmic	L'intensité lumineuse peut être réglée de façon approximative dans la plage de valeurs DMX inférieure et de façon précise dans la plage de valeurs DMX supérieure
			S-Curve	L'intensité lumineuse peut être réglée de façon précise dans les plages de valeurs DMX inférieure et supérieure et de façon approximative dans la plage de valeurs DMX moyenne
	Dimmer Response	LED	Le projecteur réagit de façon brutale aux modifications de la valeur DMX	
		Halogen	La réaction du projecteur est comparable à celle d'un projecteur halogène, caractérisé par des variations douces de la luminosité.	
	PWM Frequency	650 Hz, 1 530 Hz, 3 600 Hz, 12 kHz, 18,9 kHz, 25 kHz	Sélection de la fréquence du signal MLI de la LED	
Movement	Réglage des mouvements de la tête	Pan Reverse	Off	Pas d'inversion de la direction du mouvement de l'axe Pan
			On	Inversion de la direction du mouvement de l'axe Pan
		Tilt Reverse	Off	Pas d'inversion de la direction du mouvement de l'axe Tilt
			On	Inversion de la direction du mouvement de l'axe Tilt
		Pan Angle	540°	Angle Pan à 540°
			630°	Angle Pan à 630°
		Position Feedback	Off	Correction automatique de la position désactivée
			On	Correction automatique de la position activée
		Move In Black	Off	Pas de blackout en cas de mouvement de la tête
			On	Blackout en cas de mouvement de la tête
		Silent Movement	Off	Fonction désactivée
			On	Ralentissement des mouvements du moteur pour un fonctionnement plus silencieux

Wheels	Réglage des roues de gobos et de la roue chromatique	Gobo Wheel	Position	Clockwise	La roue de gobos tourne toujours dans le sens des aiguilles d'une montre	
				Shortest way	La roue de gobos tourne sur le chemin le plus court	
			Move-ment	Snap	Lorsque la valeur correspondante est atteinte, la roue de gobo passe directement au gobo souhaité.	
				Scroll	Rotation continue des roues de gobos	
		Colour Wheel	Position	Clockwise	La roue chromatique tourne toujours dans le sens des aiguilles d'une montre.	
				Shortest way	La roue chromatique tourne selon le chemin le plus court.	
			Move-ment	Snap	Lorsque la valeur correspondante est atteinte, la roue de couleurs passe directement au filtre couleur souhaité	
				Scroll	Rotation continue des roues de couleurs	
		Move In Black	Off	Pas de blackout en cas de modification de la valeur des roues chromatiques et des roues de gobos.		
			On	Blackout en cas de modification de la valeur des roues chromatiques et des roues de gobos.		
Fan Set	Réglages du ventilateur	Auto	Pilotage automatique du ventilateur			
		Fan Off	Ventilateur désactivé en cas de forte réduction de la luminosité			
		Constant Low	Vitesse de ventilation faible et constante en cas de luminosité réduite, si nécessaire			
		Constant Mid	Vitesse de ventilation moyenne constante en cas de luminosité réduite, si nécessaire			
		Constant High	Vitesse de ventilation élevée et constante			
Signal Fail	État de fonctionnement en cas d'interruption du signal DMX	Hold	Maintien de la dernière commande			
		Blackout	Active la fonction Blackout			
		Fade Out 10s	10 secondes de fade avant le blackout			
		User Preset 1	Le User Preset 1 est activé.			

Service	Para- mètres de réini- tialisation	Store Default	User Default A	Enregistrer les réglages utilisateur A	
			User Default B	Enregistrer les réglages utilisateur B	
			User Default C	Enregistrer les réglages utilisateur C	
		Load Default	Factory Default	Restauration des paramètres par défaut : exécuter la réinitialisation avec ENTER, l'annuler avec MENU	
			User Default A	Réinitialisation sur l'utilisateur A : exécuter la réinitialisation avec ENTER, l'annuler avec MENU	
			User Default B	Réinitialisation sur l'utilisateur B : exécuter la réinitialisation avec ENTER, l'annuler avec MENU	
			User Default C	Réinitialisation sur l'utilisateur C : exécuter la réinitialisation avec ENTER, l'annuler avec MENU	
		Reset	Pan/Tilt	Réinitialisation des moteurs Pan et Tilt	
			Head	Réinitialisation de tous les moteurs de la tête du projecteur	
			All func- tions	Réinitialiser tous les moteurs	
		Password	Uniquement à des fins de maintenance		

INFORMATIONS SYSTÈME (System Info)

À partir de l'écran principal, appuyer sur MODE pour accéder au menu principal. Utiliser ensuite les touches ▲ ou ▼ pour sélectionner l'option de menu **System Info** et appuyer sur ENTER pour confirmer.

----- Menu -----
DMX Address
DMX Mode
Stand Alone
Slave
Settings
▶ System Info

---- System Info ----
▶ Firmware
Sensor
Operation Hours
Errors

Cela permet d'accéder au sous-menu destiné à la consultation des données du système (voir tableau, sélectionner avec ▲ ou ▼, confirmer avec ENTER, modifier l'état avec ▲ ou ▼, confirmer avec ENTER).

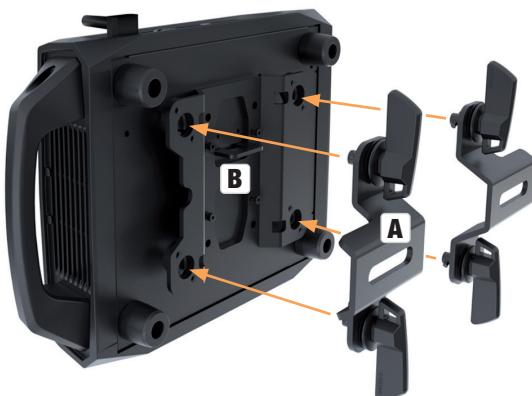
Info			
Firmware	1U	V1.x.x	
	2U	V1.x.x	
	3U	V1.x.x	
	4U	V1.x.x	
	5U	V1.x.x	
	6U	V1.x.x	
Sensor	Temperature	LED	xx°C / xx°F
		Base	xx°C / xx°F
	Temperature Unit	°C	Degré Celsius
		°F	Degré Fahrenheit
	Fan Speed	LED	Rotations du ventilateur LED xxxx tr/min
		Motor	Rotations du ventilateur moteurs xxxx tr/min
Base		Rotations du ventilateur base de l'appareil xxxx tr/min	
Operation Hours	Operation Time	xxxx:xxh	Durée de fonctionnement totale
	LED Time	xxxx:xxh	Durée de fonctionnement de l'unité LED
Errors	Affichage du type d'erreur en cas d'erreur		

INSTALLATION ET MONTAGE



DANGER : Le montage tête en bas requiert des compétences poussées, notamment pour le calcul des valeurs limites pour la charge de service, le matériel d'installation utilisé et le contrôle de sécurité à effectuer régulièrement sur l'ensemble du matériel d'installation et sur le projecteur. Sans les qualifications requises, ne pas essayer d'effectuer soi-même l'installation, mais faire appel à une entreprise professionnelle. Des appareils mal montés et mal fixés risquent de se détacher et de tomber. Cela peut causer des blessures graves voire mortelles.

Grâce aux pieds en caoutchouc intégrés, le projecteur peut être placé à un endroit approprié sur une surface plane. Le montage sur traverse s'effectue à l'aide de deux omégas de fixation à installer sur la base de l'appareil (A). Deux omégas de fixation sont fournis, des pinces de serrage sur traverse adaptées sont disponibles en option. Veiller à ce que l'assemblage soit bien serré et sécuriser le projecteur en fixant un câble de retenue adapté à l'emplacement prévu à cet effet (B).



- Illustrations non contractuelles -

ENTRETIEN, MAINTENANCE ET RÉPARATION

Pour garantir le bon fonctionnement de l'appareil à long terme, l'entretien et, si nécessaire, la maintenance doivent être effectués régulièrement. Les besoins en entretien et en maintenance dépendent de l'intensité et de l'environnement d'utilisation.

Nous recommandons de procéder à un contrôle visuel avant chaque mise en service. En outre, nous recommandons de prendre toutes les mesures d'entretien pertinentes indiquées ci-dessous toutes les 500 heures de fonctionnement ou, en cas d'intensité d'utilisation plus faible, au plus tard après un an d'utilisation. Les défauts dus à un entretien insuffisant peuvent entraîner une limitation des droits à la garantie.

ENTRETIEN (réalisable par l'utilisateur)

AVERTISSEMENT ! Avant toute opération d'entretien, l'alimentation électrique et, dans la mesure du possible, toutes les connexions de l'appareil doivent être débranchées.



REMARQUE ! Un entretien inapproprié peut entraîner une dégradation de l'appareil, voire sa destruction.

1. Les surfaces du boîtier doivent être nettoyées avec un chiffon propre et humide. Veiller à ce qu'aucune humidité ne pénètre dans l'appareil.
2. Les orifices d'entrée et de sortie d'air doivent être nettoyés régulièrement pour éliminer la poussière et les impuretés. En cas d'utilisation d'air comprimé, veiller à ce que l'appareil ne soit pas endommagé (les ventilateurs doivent notamment être bloqués).
3. Les câbles et connecteurs doivent être nettoyés régulièrement et débarrassés de la poussière et des impuretés.
4. De manière générale, aucun produit de nettoyage ou produit abrasif ne doit être utilisé pour l'entretien, faute de quoi la finition de la surface pourrait être endommagée.
5. De manière générale, les appareils doivent être stockés au sec et protégés de la poussière et des salissures.

MAINTENANCE ET RÉPARATION (uniquement par du personnel qualifié)

DANGER ! L'appareil renferme des composants sous tension. Même après la déconnexion du réseau, il peut subsister une tension résiduelle dans l'appareil, par ex. à cause de condensateurs chargés.



REMARQUE ! L'appareil ne contient aucun élément nécessitant un entretien par l'utilisateur.

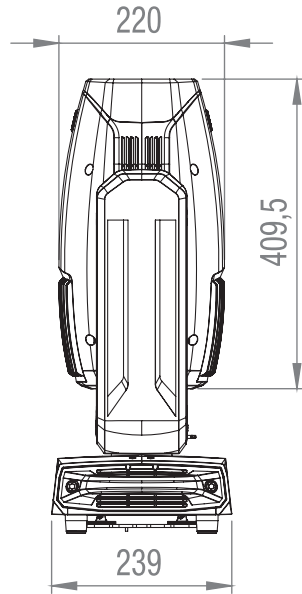
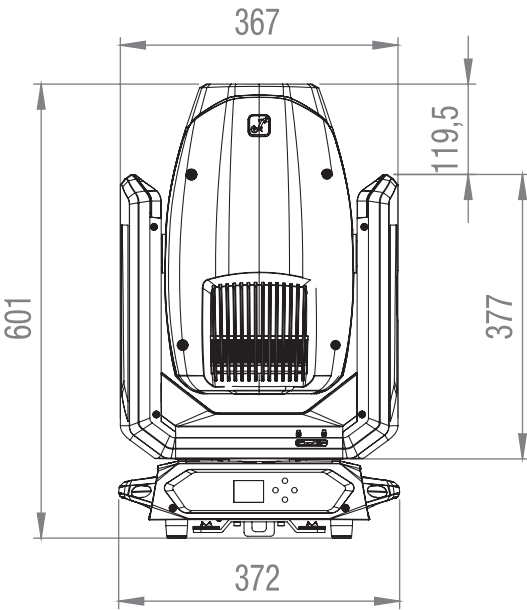
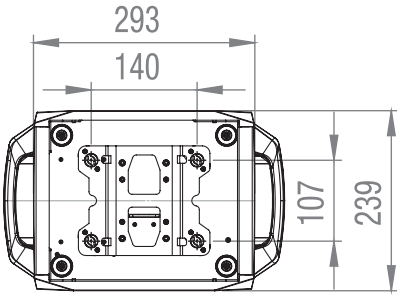


REMARQUE ! Les travaux de maintenance et de réparation ne peuvent être effectués que par du personnel spécialisé autorisé par le fabricant. En cas de doute, contacter le fabricant.



REMARQUE ! Des travaux d'entretien effectués de manière non conforme peuvent affecter le droit à la garantie.

DIMENSIONS (mm)

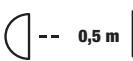


CARACTÉRISTIQUES TECHNIQUES

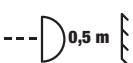
RÉFÉRENCE :	GLAZORS2
Catégorie de produit :	Lyre à LED
Type :	projecteur
Spectre de couleurs des LED :	Blanc froid 6 800 K
Nombre de LED :	1
Type de LED :	300 W
Angle de dispersion (largeur angulaire de faisceau à mi-intensité) :	5° – 50°
Système de mélange de couleurs :	CMY
Nombre de couleurs :	8 + Position de la roue chromatique ouverte et sans palier
Nombre de gobos :	11 statiques + 8 rotatifs et indexables + libres
Fréquence du signal PWM :	650 Hz ; 1 530 Hz ; 3 600 Hz ; 12 kHz ; 18,9 kHz ; 25 kHz
Entrée DMX :	XLR mâle à 5 broches
Sortie DMX :	XLR femelle à 5 broches
Mode DMX :	21 canaux de base, 24 canaux standard, 28 canaux étendu
Fonctions DMX :	Pan/Tilt, Pan/Tilt précis, dimmer, dimmer précis, stroboscope, cyan, magenta, jaune, roue chromatique, roue de gobos 1, rotation roue de gobos 1, rotation précise roue de gobos 1, roue de gobos 2, zoom, zoom précis, focus, focus précis, iris, sélection du prisme, prisme 1, prisme 2, Frost, paramètres de l'appareil
Fonctions Stand Alone :	User Preset 1-4, mode Master/Slave
Pilotage :	DMX512, RDM, compatible avec la clé iDMX
Angle Pan :	540° / 630°
Angle Tilt :	270°
Éléments de commande :	MENU, ENTER, flèche vers le haut, flèche vers le bas
Éléments d'affichage :	Écran OLED
Tension de fonctionnement :	100-240 V CA/50-60 Hz
Puissance absorbée :	470 W
Flux lumineux :	11 000 lm
Connecteur d'alimentation :	Entrée et sortie compatibles True1 (courant de sortie max. 12 A)

RÉFÉRENCE :	CLAZORS2
Fusible :	T4AL250 V (5 x 20 mm)
Température ambiante (en service) :	0 °C – 40 °C
Humidité relative :	< 85 %, sans condensation
Distance minimale par rapport à la surface éclairée :	3 m
Distance minimale par rapport aux matériaux normalement inflammables :	0,5 m
Matériau du boîtier :	Métal, ABS
Coloris du boîtier :	Noir
Indice de protection IP :	IP20
Refroidissement du boîtier :	ventilateurs thermorégulés
Dimensions (L x H x P, sans étrier de montage) :	372 x 601 x 239 mm
Poids :	19,7 kg
Autres caractéristiques :	Câble réseau de 1 m avec connecteur compatible True1 et 2 omégas de fixation fournis

DISTANCE MINIMALE PAR RAPPORT À LA SURFACE ÉCLAIRÉE

 Ce symbole indique la distance minimale en mètres (m) à respecter entre le corps lumineux et la surface éclairée. Dans cet exemple, la distance est de 0,5 m. La valeur applicable à cet appareil figure dans les caractéristiques techniques de ce manuel et dans les informations marquées sur le boîtier de l'appareil !

DISTANCE MINIMALE PAR RAPPORT AUX MATÉRIAUX NORMALEMENT INFLAMMABLES

 Ce symbole indique la distance minimale en mètres (m) à respecter entre l'appareil et des matériaux normalement inflammables. Dans cet exemple, la distance est de 0,5 m. La valeur applicable à cet appareil figure dans les caractéristiques techniques de ce manuel !

ÉLIMINATION

ENGLISH



Emballage :

1. Les emballages peuvent être introduits dans le circuit de recyclage par les voies de collecte habituelles.
2. Trier l'emballage conformément à la législation sur l'élimination des déchets et à la réglementation sur les matériaux recyclables en vigueur dans votre pays.

DEUTSCH



Appareil :

1. Cet appareil est soumis à la directive européenne sur les déchets d'équipements électriques et électroniques dans sa version actuelle. Directive DEEE Déchets d'équipements électriques et électroniques. Les appareils usagés ne doivent pas être jetés avec les ordures ménagères. L'appareil usagé doit être éliminé par une entreprise d'élimination des déchets agréée ou par un organisme communal de traitement des déchets. Respecter les réglementations en vigueur dans votre pays !
2. Veiller à respecter la législation et les prescriptions relatives à l'élimination des déchets en vigueur dans votre pays.
3. En tant que particulier, vous obtiendrez des informations sur les possibilités d'élimination respectueuses de l'environnement en vous rapprochant de la boutique dans laquelle vous avez acheté le produit ou des autorités régionales compétentes.

FRANCAIS

ESPAÑOL

POLSKI

ITALIANO

DMX

DÉCLARATIONS DU FABRICANT

GARANTIE DU FABRICANT ET LIMITATION DE RESPONSABILITÉ

Adam Hall GmbH, Adam-Hall-Str. 1, D-61267 Neu Anspach / E-mail Info@adamhall.com / +49 (0)6081 / 9419-0.

Nos conditions de garantie et nos clauses de limitation de responsabilité actuelles sont disponibles sur Internet à l'adresse suivante :

https://cdn-shop.adamhall.com/media/pdf/Manufacturers-Declarations-CAMEO_DE_EN_ES_FR.pdf.

En cas de panne, contacter votre partenaire commercial.

CONFORMITÉ CE

Par la présente, Adam Hall GmbH déclare que ce produit est conforme aux directives suivantes (si applicables) :

Directive basse tension (2014/35/UE)

Directive CEM (2014/30/UE)

RoHS (2011/65/UE)

RED (2014/53/UE)

DÉCLARATION DE CONFORMITÉ CE

Les déclarations de conformité pour les produits soumis aux directives LVD, EMC et RoHS peuvent être demandées à l'adresse info@adamhall.com.

Les déclarations de conformité pour les produits soumis à la directive RED peuvent être téléchargées sur

www.adamhall.com/compliance/

SOUS RÉSERVE DE FAUTES D'IMPRESSION ET D'ERREURS, AINSI QUE DE MODIFICATIONS TECHNIQUES OU AUTRES !

ENHORABUENA POR SU ELECCIÓN.

Este equipo ha sido desarrollado y fabricado según estrictos criterios de calidad con el fin de garantizar muchos años de funcionamiento perfecto. Lea atentamente el presente manual de instrucciones con el fin de poder usar rápidamente y de forma óptima su nuevo producto de Cameo Light. Puede encontrar más información sobre Cameo Light en nuestro sitio web **CAMEOLIGHT.COM**.

INFORMACIÓN SOBRE ESTE MANUAL DE INSTRUCCIONES

- Lea atentamente las instrucciones de seguridad y todo el manual antes de la puesta en servicio.
- Tenga en cuenta las advertencias indicadas en el equipo y en el manual de instrucciones.
- Tenga el manual de instrucciones siempre a mano.
- Si vende o cede el equipo a otra persona, asegúrese de entregar también este manual de instrucciones, ya que es una parte integrante esencial del producto.

USO PREVISTO

Este producto es un equipo de tecnología para eventos.

El producto ha sido desarrollado para un uso profesional en el sector de la tecnología para eventos y no es apto para el uso doméstico.

Además, este producto solo está previsto para su utilización por parte de usuarios cualificados con conocimientos sobre tecnología para eventos.

La utilización del producto para aplicaciones más allá de las especificadas en los datos técnicos y en las condiciones de funcionamiento se considera fuera del uso previsto.

Queda excluida toda responsabilidad por daños y perjuicios a personas y objetos si se utiliza el producto fuera del uso previsto.

El producto no es adecuado para:

- personas (incluidos niños) con capacidades físicas, sensoriales o mentales reducidas o sin la experiencia ni los conocimientos necesarios;
- niños (se debe advertir a los niños que no jueguen con el equipo).

TÉRMINOS Y SÍMBOLOS

1. **PELIGRO:** La palabra PELIGRO, que puede ir acompañada de un símbolo, se utiliza para indicar situaciones o estados de peligro inminente para la vida o la integridad física.
2. **ADVERTENCIA:** La palabra ADVERTENCIA, que puede ir acompañada de un símbolo, indica situaciones o estados potencialmente peligrosos para la vida o la integridad física.
3. **PRECAUCIÓN:** La palabra PRECAUCIÓN, que puede ir acompañada de un símbolo, indica situaciones o estados que pueden provocar lesiones.

4. **ATENCIÓN:** La palabra ATENCIÓN, que puede ir acompañada de un símbolo, indica situaciones o estados que pueden provocar daños materiales o medioambientales.



Este símbolo indica peligros que pueden causar una descarga eléctrica.



Este símbolo indica áreas de peligro o situaciones peligrosas.



Este símbolo indica peligros por la existencia de superficies calientes.



Este símbolo indica peligros debido a fuentes de luz intensas.



Este símbolo indica que en el equipo no hay piezas que pueda sustituir el usuario.



Este símbolo identifica información complementaria sobre el uso del producto.

INSTRUCCIONES DE SEGURIDAD



PELIGRO:

1. No abrir el interior del equipo ni modificarlo.
2. Apagar inmediatamente el equipo y desconectarlo de la red eléctrica si dejara de funcionar correctamente, si penetrara algún líquido u otro objeto en su interior o si el equipo sufriera cualquier otro tipo de daño. Este equipo debe repararlo exclusivamente personal especializado y autorizado.
3. Los dispositivos con clase de protección 1 deben tener la conexión a tierra correctamente conectada. Nunca se debe interrumpir la conexión a tierra. Los dispositivos de la clase de protección 2 no disponen de conexión a tierra.
4. Procurar que los cables con tensión no se doblen ni sufran daños mecánicos.
5. Nunca puentear el fusible del equipo.



ADVERTENCIA:

1. No utilizar el equipo si presenta daños evidentes.
2. El equipo solo se puede instalar estando sin tensión.
3. Si el cable de alimentación del equipo está dañado, el equipo no debe utilizarse.
4. Los cables de alimentación fijos solo pueden ser sustituidos por una persona cualificada.



ATENCIÓN:

1. No poner en marcha el equipo si ha estado sometido a fuertes fluctuaciones de temperatura (por ejemplo, tras su transporte). La humedad y el agua condensada pueden dañar el equipo. Encender el equipo únicamente después de que su temperatura haya alcanzado la temperatura ambiente.
2. Asegurarse de que la tensión y la frecuencia de la red eléctrica coincidan con los valores indicados en el equipo. Si el equipo dispone de un selector de tensión, ajustarlo bien antes de conectar el equipo a la toma de corriente. Utilizar únicamente cables de alimentación adecuados.
3. Para desconectar totalmente el equipo de la red, no basta con accionar el interruptor de encendido/apagado del equipo.
4. Hay que asegurarse de que el fusible utilizado coincida con el tipo de fusible indicado en el equipo.
5. Hay que asegurarse de que se hayan tomado las medidas adecuadas para evitar cualquier sobretensión (p. ej., en caso de rayos).
6. Tener en cuenta la corriente de salida máxima indicada en los equipos con conexión de salida de alimentación. Comprobar que el consumo eléctrico total de todos los equipos conectados no supere el valor predeterminado.
7. Sustituir los cables de alimentación enchufables únicamente por cables originales.



PELIGRO:

1. ¡Peligro de asfixia! Las bolsas de plástico y las piezas pequeñas deben guardarse fuera del alcance de las personas (incluidos los niños) con capacidades físicas, sensoriales o mentales reducidas.
2. ¡Peligro por caída! Comprobar que el equipo esté instalado de forma segura y no pueda caerse. Utilizar exclusivamente soportes o fijaciones adecuados (especialmente en instalaciones fijas). Asegurarse de que los accesorios estén correctamente instalados y fijados. Cumplir las disposiciones de seguridad vigentes.



ADVERTENCIA:

1. Utilizar el equipo únicamente de la forma prevista.
2. Utilizar el equipo solo con los accesorios previstos y recomendados por el fabricante.
3. Durante la instalación, hay que tener en cuenta los reglamentos de seguridad vigentes en su país.
4. Una vez conectado el equipo, revisar todo el cableado para evitar daños o accidentes debidos, por ejemplo, a caídas por tropiezos.
5. Hay que tener en cuenta la distancia mínima especificada con respecto a materiales normalmente inflamables. A menos que se indique explícitamente otra, la distancia mínima es de 0,3 m.



PRECAUCIÓN:

1. Las piezas móviles, como los soportes de montaje u otras piezas, pueden quedarse atascadas.
2. En equipos con componentes motorizados, existe peligro de lesiones por el movimiento del equipo. Los movimientos repentinos del equipo pueden provocar una reacción brusca.



3. La superficie de la carcasa del equipo puede calentarse mucho durante su funcionamiento normal. Evitar el contacto accidental con la carcasa. Esperar siempre hasta que el equipo se haya enfriado lo suficiente antes de desmontarlo, realizar trabajos de mantenimiento, cargarlo u otras manipulaciones.



ATENCIÓN:

1. No instalar ni poner a funcionar el equipo cerca de radiadores, acumuladores térmicos, estufas u otras fuentes de calor. Asegurarse de que el equipo siempre esté instalado de modo que reciba suficiente refrigeración y no pueda sobrecalentarse.
2. No colocar cerca del equipo ninguna fuente de ignición como, por ejemplo, velas encendidas.
3. No cubrir las aberturas de ventilación ni obstruir los ventiladores.
4. Para el transporte, utilizar el embalaje original o el embalaje indicado por el fabricante.
5. Evitar sacudir o golpear el equipo.
6. Tener en cuenta la clase de protección IP, así como las condiciones ambientales, como la temperatura y la humedad, de acuerdo con las especificaciones.
7. Los equipos se desarrollan constantemente. Si los datos sobre las condiciones de funcionamiento, potencia u otras características del equipo incluidos en el manual de instrucciones no coinciden con la etiqueta del equipo, la información contenida en la etiqueta tendrá prioridad.
8. El equipo no es apto para climas tropicales ni para su uso por encima de los 2000 m sobre el nivel del mar.
9. El equipo no es apto para el funcionamiento en condiciones marítimas a menos que se indique explícitamente lo contrario.



NOTA:

En el caso de los sets de conversión o reequipamiento, así como los accesorios, previstos por el fabricante, hay que tener en cuenta obligatoriamente el manual adjunto.

¡PRECAUCIÓN! INSTRUCCIONES IMPORTANTES EN RELACIÓN CON LOS PRODUCTOS DE ILUMINACIÓN



1. Nunca mirar directamente, ni siquiera un instante, la fuente de luz.
2. Nunca mirar la fuente de luz mediante equipos ópticos, como lentes de aumento.



3. ¡Los efectos de estrobo pueden provocar ataques epilépticos en personas sensibles!



4. Estos focos cuentan con una lámpara fija que no debe reemplazar el usuario. La fuente de luz incluida en este foco solo puede ser sustituida por el fabricante o su socio de servicio técnico o una persona cualificada similar.

INDICACIONES PARA EQUIPOS PORTÁTILES DE INTERIOR



1. Funcionamiento temporal. En principio, los equipos para eventos están diseñados solo para un funcionamiento temporal.
2. El funcionamiento continuo o la instalación permanente puede perjudicar el funcionamiento y provocar un envejecimiento prematuro del equipo.

VOLUMEN DE SUMINISTRO

Saque el producto del embalaje y retire todo el material de embalaje.

Compruebe que ha recibido en perfecto estado todos los componentes del equipo e informe al distribuidor inmediatamente después de la compra si nota algún daño o la falta de algún componente.

En el volumen de suministro del producto se incluye:

- ▶ 1 cabeza móvil LED AZOR S2
- ▶ 2 perchas de montaje Omega
- ▶ 1 cable de alimentación
- ▶ Manual de instrucciones

INTRODUCCIÓN

CABEZA MÓVIL LED

CLAZORS2

MODOS DE CONTROL:

Control DMX Basic de 21 canales, Standard de 24 canales, Extended de 28 canales
DMX512

W-DMX™ mediante stick iDMX de Cameo disponible opcionalmente

Habilitado para RDM

Modo maestro/esclavo

Funciones autónomas

CARACTERÍSTICAS:

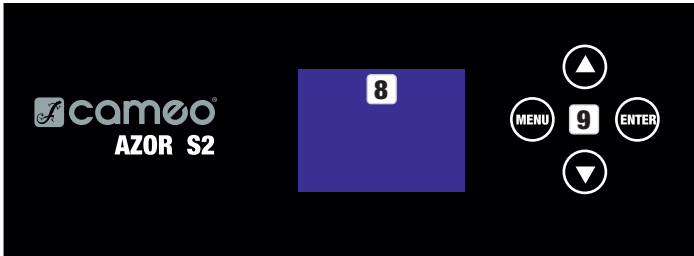
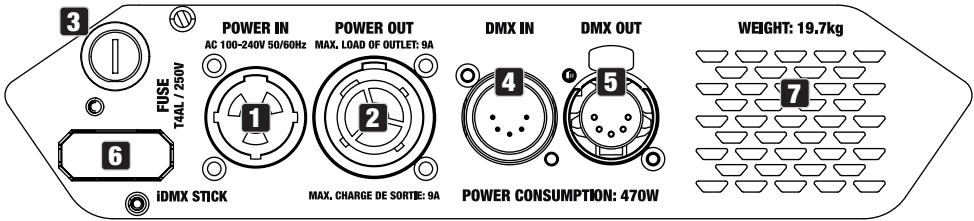
LED blanco frío de 300 W. Mezcla de colores CMY. Rueda de colores con 8 colores más posición vacía. 2 ruedas de gobos con 8 gobos giratorios y 11 gobos fijos más posición vacía. Funciones de Zoom, Focus, Iris, Prisma y Frost. DMX512. Conexión para stick iDMX opcional para control inalámbrico mediante W-DMX™. Conexiones DMX de 5 pines. Incluidos 2 perchas de montaje Omega.

El foco dispone del protocolo RDM (Remote Device Management, administración remota de dispositivos). Este sistema de administración de dispositivos a distancia permite consultar el estado y configurar terminales RDM mediante un controlador con función RDM, como el opcional UNICON de Cameo

(número de artículo CLIREMOTE).

Además, el UNICON de Cameo permite el acceso a todo el menú de los focos.

CONEXIONES, ELEMENTOS DE MANEJO Y ELEMENTOS DE VISUALIZACIÓN



1 POWER IN

Toma de entrada de alimentación compatible con TRUE1. Tensión operativa: 100-240 V CA/50-60 Hz. Conexión mediante el cable de red suministrado.

2 POWER OUT

Toma de salida de red compatible con TRUE1. Sirve para alimentar otros focos CAMEO. Asegúrese de que el consumo de corriente total de todos los equipos conectados no supere el valor en amperios (A) indicado en el equipo.

3 FUSE

Portafusibles para fusibles de 5 x 20 mm. NOTA IMPORTANTE: El fusible deberá sustituirse exclusivamente por otro del mismo tipo y con las mismas características técnicas. Si el fusible salta de forma recurrente, diríjase a un centro de servicio técnico autorizado.

4 DMX IN

Conector XLR macho de 5 pines para conectar un equipo de control DMX (por ejemplo, una mesa DMX).

5 DMX OUT

Conector XLR hembra de 5 pines para transmitir la señal de control DMX.

6 STICK IDMX

Conexión para el stick iDMX disponible opcionalmente para la conexión W-DMX™ (insertar el stick iDMX con la antena orientada hacia arriba). Consulte la configuración de **Wireless** en el menú Settings.

7 VENTILACIÓN

Para evitar daños en el equipo, no cubra las aberturas de ventilación de la parte trasera y asegúrese de que el aire pueda circular sin obstáculos.

8 PANTALLA OLED

La pantalla OLED muestra el modo operativo activado actualmente (pantalla principal), las opciones del menú y el valor numérico o el estado operativo en determinadas opciones del menú. Si durante aproximadamente un minuto no se detecta ninguna actividad, la indicación en pantalla cambia automáticamente a la pantalla principal. Aviso sobre la pantalla principal en los modos operativos con control externo: En el momento en que se interrumpe la señal de control, los caracteres de la pantalla comienzan a parpadear. Dejarán de hacerlo al restablecerse la señal de control.

9 BOTONES DE MANDO

MENU: pulsando MENU accederá al menú principal. Si vuelve a pulsar este botón una o varias veces, regresará a la pantalla principal. Si pulsa el botón MENU sin pulsar ENTER para confirmar un cambio de valor o de estado, se restaurará el valor o el estado que se haya confirmado anteriormente.

ENTER: pulsando ENTER accederá al nivel del menú en el que se pueden modificar parámetros y también a los submenús. Para confirmar la modificación del valor o estado, pulse de nuevo ENTER.

▲ y ▼: selección de las opciones individuales del menú principal (dirección DMX, modo DMX, etc.) y de los submenús. Permiten modificar el valor de una opción del menú según se desee, por ejemplo, la dirección DMX (pulsación larga = cambio de valor rápido).

10 ASAS EMBUTIDAS

Además de las dos asas de transporte situadas en la base del equipo, hay unas prácticas asas embutidas en la parte superior de la cara interna de los brazos del equipo.

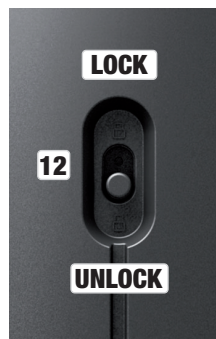


11 PAN LOCK

Dispositivo de bloqueo mecánico para evitar que la cabeza gire horizontalmente durante el transporte. Desconecte el equipo de la red eléctrica, coloca la cabeza en paralelo a la base (8 posiciones posibles) y presione la palanca de bloqueo para bloquear la cabeza hacia abajo y seguidamente en la dirección del eje de giro horizontal (LOCK). Desbloquee el dispositivo antes de poner el equipo en funcionamiento (UNLOCK).

**12 TILT LOCK**

Dispositivo de bloqueo mecánico para evitar que la cabeza gire verticalmente durante el transporte (7 posiciones posibles). Desconecte el equipo de la red eléctrica y deslice la palanca de bloqueo para bloquear la cabeza en la dirección del eje de giro vertical, moviendo la cabeza del equipo verticalmente hasta encontrar una de las 7 posiciones de enclavamiento y enclavar la palanca de bloqueo (LOCK). Desbloquee el dispositivo antes de poner el equipo en funcionamiento (UNLOCK).



- Similar a las figuras -

MANEJO**OBSERVACIONES**

Durante el proceso de arranque del foco, en la pantalla se muestra brevemente el mensaje «Update Wait» (Actualizando, espere...) y a continuación «Welcome to Cameo» (Bienvenidos a Cameo), la denominación de modelo y la versión del software. A continuación, se restablecen los motores (Motor Reset Please Wait). Después de este procedimiento, el foco estará operativo y se iniciará en el último modo operativo activado.

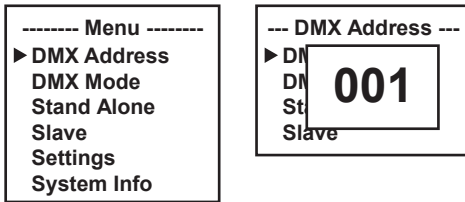
PANTALLA PRINCIPAL EN EL MODO OPERATIVO DMX

La pantalla principal en el modo operativo DMX muestra la dirección inicial DMX actualmente ajustada (consulte la figura). Si el foco no recibe ninguna señal DMX, los caracteres de la pantalla parpadearán.



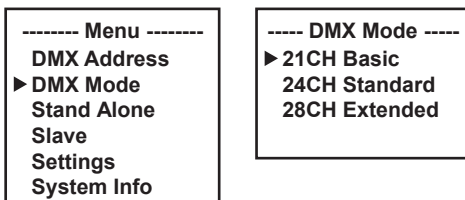
CONFIGURAR LA DIRECCIÓN INICIAL DMX (DMX Address)

Partiendo de la pantalla principal, si pulsa MENU accederá al menú principal. Ahora, utilice los botones ▲ o ▼ para seleccionar la opción **DMX Address** del menú y confirme con ENTER. Ajuste ahora la dirección inicial DMX como desee con los botones ▲ o ▼, y confirme el ajuste con ENTER (el valor más alto dependerá del modo operativo DMX ajustado).



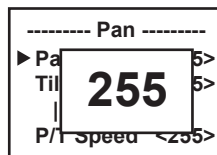
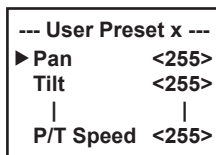
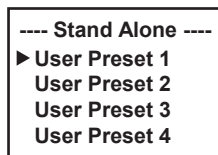
CONFIGURAR EL MODO OPERATIVO DMX (DMX Mode)

Partiendo de la pantalla principal, si pulsa MENU accederá al menú principal. Ahora, utilice los botones ▲ o ▼ para seleccionar la opción **DMX Mode** el menú y confirme con ENTER. Nuevamente con los botones ▲ o ▼, seleccione el modo DMX deseado y confirme con ENTER. Encontrará las tablas con la asignación de canales de los distintos modos DMX en la sección CONTROL DMX de este manual.



MODO OPERATIVO AUTÓNOMO (Stand Alone)

En el modo autónomo están disponibles cuatro escenas que se pueden ajustar individualmente. Partiendo de la pantalla principal, al pulsar MENU se accede al menú principal. Ahora, utilice los botones ▲ o ▼ para seleccionar la opción **Stand Alone** del menú y confirme con ENTER. Seleccione de nuevo el preset deseado con los botones ▲ y ▼ confirme con ENTER.

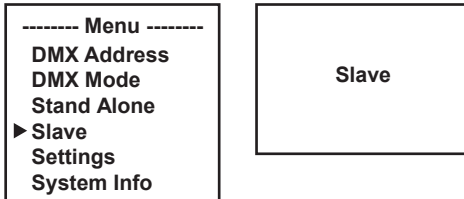


Seleccione la opción de submenú deseada, confirme, ajuste el valor deseado y confirme de nuevo.

User Preset X	Tilt	000	-	255	0% -> 100%
	Pan	000	-	255	0% -> 100%
	Dimmer	000	-	255	Master dimmer 0% -> 100%
	Strobe	000	-	255	Multifunctional Strobe
	Cyan	000	-	255	CMY
	Magenta	000	-	255	
	Yellow	000	-	255	
	Colour	000	-	255	Colour Wheel
	Gobo 1	000	-	255	Gobo Wheel 1
	Gobo 1 Rot	000	-	255	Gobo 1 Rotation
	Gobo 2	000	-	255	Gobo Wheel 2
	Zoom	000	-	255	Narrow -> wide
	Focus	000	-	255	0% -> 100%
	Iris	000	-	255	0% -> 100%
	PrismSelect	000	-	255	Prism selection
	Prism 1	000	-	255	Prism 1 position / rotation
	Prism 2	000	-	255	Prism 2 position / rotation
	Frost	000	-	255	0% -> 100%
	P/T Macro	000	-	255	Pan / Tilt Macro
	P/T Speed	000	-	255	Pan / Tilt Macro speed

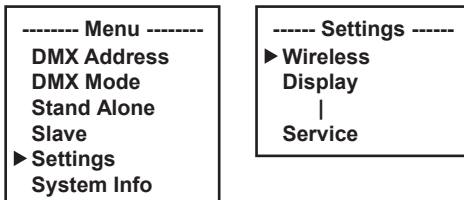
MODO ESCLAVO

Partiendo de la pantalla principal, si pulsa MENU accederá al menú principal. Ahora, utilice los botones ▲ o ▼ para seleccionar la opción **Slave** del menú y confirme con ENTER. Conecte las unidades esclava y maestra (del mismo modelo y misma versión de software) mediante un cable DMX y active en la unidad maestra uno de los modos autónomos. A partir de ese momento, la unidad esclava estará exactamente sincronizada con la unidad maestra. De forma alternativa, la señal de control se puede transferir mediante W-DMX (stick iDMX disponible opcionalmente).



CONFIGURACIÓN DEL SISTEMA (Settings)

Partiendo de la pantalla principal, si pulsa MENU accederá al menú principal. Ahora, utilice los botones ▲ y ▼ para seleccionar la opción del menú **Settings** y confirme la selección con ENTER.



Seguidamente se abre el submenú que permite ajustar las siguientes opciones del submenú (consulte la tabla, seleccione con ▲ y ▼, confirme con ENTER, cambie el valor o el estado con ▲ y ▼, confirme con ENTER).

Settings (Ajustes de fábrica)				
Wireless	Configuración inalámbrica (stick iDMX opcional)	iDMX State	Off	Control inalámbrico desactivado
			On	Control inalámbrico activado
	Signal Routing		To XLR	Signal -> DMX OUT
			Backup by XLR	Backup vía DMX IN en caso de interrupción de la señal W-DMX
		Receive only	Solo recepción W-DMX	

Display	Ajustes de la pantalla	Display Reverse	Off	Giro de la imagen en pantalla desactivado
			On	Giro de 180° de la imagen en pantalla (por ejemplo, para montaje en altura)
		Display Off Timer	Always On	Permanentemente activada
			Off after 20s	Desactivación tras aproximadamente 20 segundos sin actividad
Autolock	Off	Función Autolock desactivada		
	On	Bloqueo de los elementos de manejo tras aprox. 30 segundos sin entrada (LOCKED). Para desbloquear: Pulse MENU durante aprox. 3 segundos.		
Dimmer	Ajustes de atenuación	Dimmer Curve	Linear	La intensidad luminosa aumentará de forma lineal con el valor DMX
			Exponential	La intensidad luminosa permite un ajuste preciso en el rango inferior de valores DMX y un ajuste aproximado en el rango superior de valores DMX
			Logarithmic	La intensidad luminosa podrá configurarse de forma aproximada en el rango inferior de valores DMX y de forma precisa en el rango superior de valores DMX
			S-Curve	La intensidad luminosa podrá configurarse de forma precisa en los rangos inferior y superior de valores DMX y de forma aproximada en el rango medio de valores DMX
	Dimmer Response = Respuesta de atenuación	Dimmer Response	LED	El foco reaccionará de forma brusca a las modificaciones del valor DMX
			Halogen	El foco se comporta de manera parecida a un proyector halógeno con modificaciones del brillo suaves
	PWM Frequency = Frecuencia PWM LED	PWM Frequency	650Hz , 1530Hz, 3600Hz, 12kHz, 18.9kHz, 25kHz	Selección de la frecuencia de la modulación por ancho de pulsos (PWM) de los LED

Move- ment	Ajustar los movimientos de la cabeza	Pan Reverse	Off	Sin inversión del sentido de giro horizontal	
			On	Inversión del sentido de giro horizontal	
		Tilt Reverse	Off	Sin inversión del sentido de giro vertical	
			On	Inversión del sentido de giro vertical	
		Pan Angle	540°	Ángulo de giro horizontal 540°	
			630°	Ángulo de giro horizontal 630°	
		Position Feed-back	Off	Sin corrección automática de la posición	
			On	Se activa la corrección automática de la posición	
		Move in Black	Off	Sin apagón al mover la cabeza móvil	
			On	Apagón al mover la cabeza móvil	
Silent Move-ment	Off	Función desactivada			
	On	Motor de movimiento lento para un funcionamiento más silencioso			
Wheels	Ajustar las ruedas de gobos y la rueda de colores	Rueda de gobos	Posición	Clockwise	La rueda de gobos siempre gira en el sentido de las agujas del reloj
				Shortest way	La rueda de gobos gira en el recorrido más corto
		Move-ment	Snap	La rueda de gobos salta directamente al gobo deseado cuando se alcanza el valor correspondiente	
			Scroll	Rotación continua de las ruedas de gobos	
		Colour Wheel	Posición	Clockwise	La rueda de colores siempre gira en el sentido de las agujas del reloj
				Shortest way	La rueda de colores gira en el recorrido más corto
	Move-ment		Snap	La rueda de colores salta directamente al filtro de color deseado cuando se alcanza el valor correspondiente	
			Scroll	Rotación continua de las ruedas de colores	
	Move in Black	Off	Sin apagón al cambiar de valor en ruedas de colores y gobos		
		On	Apagón al cambiar de valor en ruedas de colores y gobos		

Fan Set	Ajustes del ventilador	Auto	Control automático del ventilador	
		Fan Off	Ventilador desactivado con brillo muy reducido	
		Constant Low	Velocidad del ventilador baja y constante con brillo reducido, si fuese necesario	
		Constant Mid	Velocidad del ventilador media y constante con brillo reducido, si fuese necesario	
		Constant High	Velocidad del ventilador alta y constante	
Signal Fail	Estado operativo en caso de interrupción de la señal DMX	Hold	Se mantendrá la última orden	
		Blackout	Activa el apagón	
		Fade Out 10s	Desvanecimiento de 10 segundos hasta apagón	
		User Preset 1	Se activa User Preset 1	
Service	Ajustes de restablecimiento	Store Default	User Default A	Guardar los ajustes de usuario A
			User Default B	Guardar los ajustes de usuario B
			User Default C	Guardar los ajustes de usuario C
	Load Default	Factory Default	Restablecer los ajustes de fábrica: Realizar el restablecimiento con ENTER, cancelar con MENU	
			User Default A	Restablecer usuario A: Realizar el restablecimiento con ENTER, cancelar con MENU
			User Default B	Restablecer usuario B: Realizar el restablecimiento con ENTER, cancelar con MENU
			User Default C	Restablecer usuario C: Realizar el restablecimiento con ENTER, cancelar con MENU
	Reset	Pan/Tilt	Reinicio de los motores de giro horizontal y vertical	
		Head	Restablecer todos los motores de la cabeza del foco	
		All functions	Restablecer todos los motores	
Password	Solo para servicio técnico			

INFORMACIÓN DEL SISTEMA (System Info)

Partiendo de la pantalla principal, al pulsar MODE, se accede al menú principal. Ahora, utilice los botones ▲ y ▼ para seleccionar la opción **System Info** del menú y confirme con ENTER.

----- Menu -----
DMX Address
DMX Mode
Stand Alone
Slave
Settings
▶ System Info

---- System Info ----
▶ Firmware
Sensor
Operation Hours
Errors

A continuación llegará al submenú que permite acceder a la información del sistema (consulte la tabla, selección con los botones ▲ y ▼; confirmación con ENTER; modificación del estado con ▲ y ▼; confirmación con ENTER).

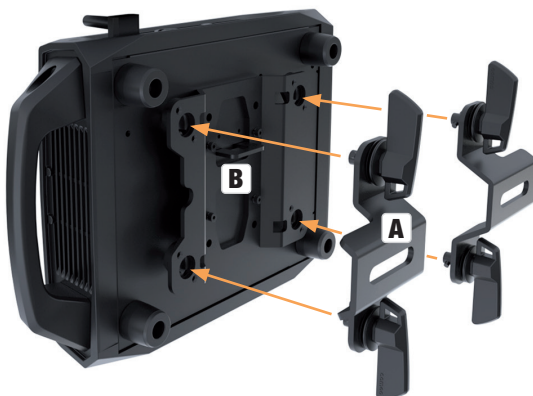
Info				
Firmware	1U	V1.x.x		
	2U	V1.x.x		
	3U	V1.x.x		
	4U	V1.x.x		
	5U	V1.x.x		
	6U	V1.x.x		
Sensor	Temperature	LED	xx °C / xx °F	
		Base	xx °C / xx °F	
	Temperature Unit	°C	Grados Celsius	
		°F	Grados Fahrenheit	
	Fan Speed	LED	Revoluciones del ventilador LED xxxxRPM	
		Motor	Revoluciones del ventilador motores xxxxRPM	
Base		Revoluciones del ventilador de la base del equipo xxxxRPM		
Operation Hours	Operation Time	xxx:xxh	Tiempo de funcionamiento total	
	LED Time	xxx:xxh	Tiempo de funcionamiento de la unidad LED	
Errors	Indicación de fallo en caso de error			

INSTALACIÓN Y MONTAJE



PELIGRO: El montaje en altura requiere mucha experiencia, incluido el cálculo de los valores límite de la carga de trabajo, el material de instalación utilizado y las comprobaciones de seguridad periódicas de todos los materiales de instalación y focos. Si no está cualificado para ello, no intente realizar la instalación por su cuenta, recurra a una empresa profesional. Existe un riesgo de aflojamiento y caída de equipos montados y asegurados de forma incorrecta. Esto puede provocar lesiones graves o incluso la muerte de personas.

Gracias a los pies de goma integrados, el foco puede instalarse en un lugar adecuado sobre una superficie nivelada. El montaje en travesaño se realiza fijando dos perchas de montaje Omega en la base del equipo (A). El volumen de suministro incluye dos perchas de montaje Omega; las abrazaderas aptas para travesaño se pueden pedir por separado. Asegúrese de acoplar bien el equipo y de fijar el foco con un cable de seguridad adecuado en el punto previsto a tal efecto (B).



- Similar a las figuras -

CUIDADO, MANTENIMIENTO Y REPARACIÓN

Para garantizar el correcto funcionamiento del equipo a largo plazo, este se debe revisar periódicamente y reparar en caso necesario. Las necesidades de cuidado y mantenimiento dependen de la intensidad y el entorno de uso.

Por lo general, recomendamos realizar una inspección visual antes de cada puesta en marcha. Además, recomendamos llevar a cabo todas las medidas de mantenimiento que se indican a continuación cada 500 horas de funcionamiento o, en el caso de un uso menos intensivo, después de un año como máximo. En caso de defectos debidos a un mantenimiento insuficiente, la garantía puede verse limitada.

CUIDADOS (que puede realizar el usuario)



¡ADVERTENCIA! Antes de realizar cualquier tarea para mantener cuidado el equipo, desconectar la alimentación eléctrica y, si es posible, todas las conexiones del equipo.



¡AVISO! Un cuidado inadecuado puede provocar daños en el equipo e incluso su destrucción.

1. Limpiar las superficies de la carcasa con un paño limpio y húmedo. Asegurarse de que no pueda penetrar humedad en el equipo.
2. Limpiar periódicamente las aberturas de entrada y salida de aire para evitar que se acumule polvo y suciedad. Si se va a utilizar aire comprimido, hay que asegurarse de que el equipo no sufra daños (p. ej., los ventiladores deben bloquearse en este caso).
3. Los cables y los contactos deben limpiarse regularmente para evitar que acumulen polvo y suciedad.
4. En general, no deben utilizarse detergentes ni agentes abrasivos para el cuidado, ya que podrían dañar el acabado de la superficie.
5. En general, los equipos deben almacenarse en un lugar seco y protegidos del polvo y la suciedad.

MANTENIMIENTO Y REPARACIÓN (solo personal técnico)



¡PELIGRO! Hay piezas conductoras de tensión en el interior del equipo. Incluso después de desconectar la alimentación eléctrica, puede haber tensión residual en el equipo, por ejemplo, por condensadores cargados.



¡AVISO! En el equipo no hay componentes que pueda reparar el usuario.



¡AVISO! El mantenimiento y las reparaciones solo podrán ser llevadas a cabo por personal especializado autorizado por el fabricante. En caso de duda, consulte al fabricante.



¡AVISO! Los trabajos de mantenimiento realizados indebidamente pueden afectar al derecho de garantía.

DIMENSIONES (mm)

ENGLISH

DEUTSCH

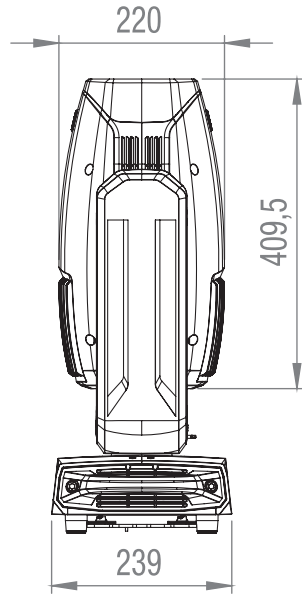
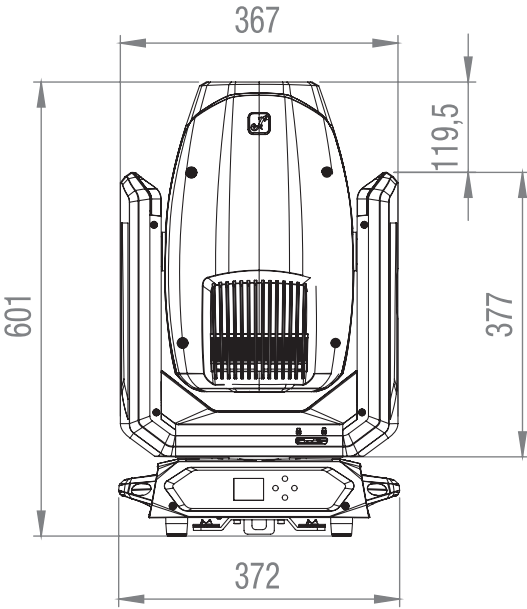
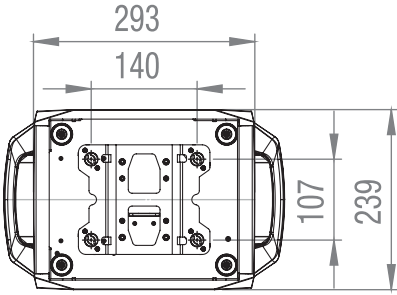
FRANCAIS

ESPAÑOL

POLSKI

ITALIANO

DMX



DATOS TÉCNICOS

NÚMERO DE ARTÍCULO:	CLAZORS2
Clase de producto:	Cabeza móvil LED
Tipo:	Spot
Espectro cromático del LED:	Blanco frío 6800 K
Cantidad de LED:	1
Tipo de LED:	300 W
Ángulo de dispersión (ángulo del haz de luz):	5° - 50°
Sistema de mezcla de color:	CMY
Número de colores:	8 + posición vacía y ajuste continuo de la posición de la rueda de colores
Número de gobos:	11 fijos + 8 rotatorios e indexables + posición vacía
Frecuencia de la modulación por ancho de pulsos:	650 Hz, 1530 Hz, 3600 Hz, 12 kHz, 18,9 kHz, 25 kHz
Entrada DMX:	XLR macho de 5 pines
Salida DMX:	XLR hembra de 5 pines
Modo DMX:	Basic de 21 canales, Standard de 24 canales, Extended de 28 canales
Funciones DMX:	Giro horizontal/vertical, giro horizontal/vertical preciso, atenuador, atenuador preciso, estrobo, cian, magenta, amarillo, rueda de colores, rueda de gobos 1, rotación de rueda de gobos 1, rotación precisa de rueda de gobos 1, rueda de gobos 2, zoom, zoom preciso, enfoque, enfoque preciso, iris, selección de prismas, prisma 1, prisma 2, Frost, ajustes del equipo
Funciones autónomas:	User Preset 1-4, funcionamiento maestro/esclavo
Control:	DMX512, RDM, compatible con stick iDMX
Ángulo de giro horizontal:	540° / 630°
Ángulo de giro vertical:	±270°
Elementos de manejo:	MENU, ENTER, flecha arriba, flecha abajo
Elementos de visualización:	Pantalla OLED
Tensión operativa:	100-240 V CA / 50-60 Hz
Consumo de potencia:	470 W
Flujo luminoso:	11000 lm

ENGLISH

DEUTSCH

FRANCAIS

ESPAÑOL

POLSKI

ITALIANO

DMX

NÚMERO DE ARTÍCULO: CLAZORS2

Conexión al suministro eléctrico: Entrada y salida compatibles con True1 (corriente de salida máx. 12 A)

Fusible: T4AL 250 V (5 x 20 mm)

Temperatura ambiente (en funcionamiento): de 0 °C a 40 °C

Humedad relativa del aire: <85 %, sin condensación

Distancia mínima con respecto a la superficie iluminada: 3 m

Distancia mínima con respecto a materiales normalmente inflamables: 0,5 m

Material de la carcasa: Metal, plástico ABS

Color de la carcasa: Negro

Clase de protección IP: IP20

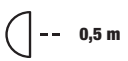
Refrigeración de la carcasa: Ventiladores controlados por temperatura

Dimensiones (anchura × altura × profundidad, sin soporte de montaje): 372 x 601 x 239 mm


Peso: 19,7 kg

Otras características: Cable de red de 1 m con conector compatible con True1 y 2 perchas de montaje Omega incluidos en el volumen de suministro

DISTANCIA MÍNIMA CON RESPECTO A LA SUPERFICIE ILUMINADA

 Este símbolo con indicación de distancia en metros (m) indica la distancia mínima de la lámpara con respecto a la superficie iluminada. En este ejemplo, la distancia es de 0,5 m. El valor válido para este equipo se puede consultar en los datos técnicos de estas instrucciones y en la impresión en la carcasa.

DISTANCIA MÍNIMA CON RESPECTO A MATERIALES NORMALMENTE INFLAMABLES

 Este símbolo con indicación de distancia en metros (m) indica la distancia mínima del equipo con respecto a materiales normalmente inflamables. En este ejemplo, la distancia es de 0,5 m. El valor válido para este equipo se puede consultar en los datos técnicos de estas instrucciones.

ELIMINACIÓN



Embalaje:

1. Los embalajes se pueden llevar a reciclar a través de las vías de eliminación habituales.
2. Separe el embalaje conforme a las leyes de eliminación de residuos y las normativas sobre reciclaje de tu país.



Equipo:

1. Este equipo está sujeto a la Directiva europea sobre residuos de aparatos eléctricos y electrónicos, en su versión actual. Directiva RAEE sobre residuos de aparatos eléctricos y electrónicos. Los equipos usados no se deben desechar junto con la basura doméstica. Los equipos usados se deben desechar a través de una empresa de gestión de residuos autorizada o de un sistema municipal de eliminación de residuos. Tenga en cuenta la normativa vigente en su país.
2. Respete todas las normativas y leyes vigentes de su país relativas a la eliminación de residuos.
3. Los clientes particulares recibirán información sobre las posibilidades de eliminación ecológica a través del distribuidor que les haya vendido el producto o bien a través de las correspondientes autoridades regionales.

DECLARACIONES DEL FABRICANTE

GARANTÍA DEL FABRICANTE Y EXENCIÓN DE RESPONSABILIDAD

Adam Hall GmbH, Adam-Hall-Str. 1, D-61267 Neu Anspach (Alemania) / Correo electrónico: info@adamhall.com / +49 (0)6081 / 9419-0.

Encontrará las condiciones actuales de la garantía y el texto sobre la exención de responsabilidad en la siguiente página web:

https://cdn-shop.adamhall.com/media/pdf/Manufacturers-Declarations-CAMEO_DE_EN_ES_FR.pdf.

Para reparaciones, póngase en contacto con su distribuidor.

CONFORMIDAD CE

Adam Hall GmbH declara que este producto es conforme con las siguientes directivas (en la medida en que sean pertinentes):

Directiva sobre baja tensión (DBT) (2014/35/UE)

Directiva sobre compatibilidad electromagnética (CEM) (2014/30/UE)

Directiva sobre restricciones a la utilización de determinadas sustancias peligrosas en aparatos eléctricos y electrónicos (RoHS) (2011/65/UE)

Directiva sobre la comercialización de equipos radioeléctricos (RED) (2014/53/UE)

DECLARACIÓN DE CONFORMIDAD CE

Las declaraciones de conformidad para productos sujetos a las directivas LVD, CEM y RoHS pueden solicitarse a info@adamhall.com.

Las declaraciones de conformidad de los productos sujetos a la directiva RED pueden descargarse en

www.adamhall.com/compliance/.

ESTE DOCUMENTO PUEDE ESTAR SUJETO A FALLOS DE IMPRESIÓN O ERRORES, ASÍ COMO A MODIFICACIONES TÉCNICAS O DE OTRO TIPO.

GRATULUJEMY DOBREGO WYBORU!

Urządzenie to zostało zaprojektowane i wyprodukowane zgodnie z wysokimi standardami jakości, tak by działało bezawaryjnie przez wiele lat. Należy uważnie przeczytać niniejszą instrukcję obsługi, aby móc jak najszybciej rozpocząć prawidłową eksploatację nowego urządzenia marki Cameo Light. Więcej informacji o marce Cameo Light można znaleźć na stronie **CAMEOLIGHT.COM**.

INFORMACJE DOTYCZĄCE NINIEJSZEJ INSTRUKCJI OBSŁUGI

- Przed uruchomieniem urządzenia należy przeczytać wszystkie zasady bezpieczeństwa oraz całą instrukcję obsługi.
- Należy przestrzegać ostrzeżeń umieszczonych na urządzeniu i w instrukcji obsługi.
- Instrukcję obsługi należy zawsze mieć pod ręką.
- W przypadku sprzedaży lub przekazania urządzenia należy koniecznie dołączyć do niego również niniejszą instrukcję obsługi, ponieważ stanowi ona istotną część produktu.

UŻYTKOWANIE ZGODNE Z PRZEZNACZENIEM

Produkt jest urządzeniem przeznaczonym dla branży eventowej!

Produkt jest przeznaczony do profesjonalnych zastosowań w organizacji imprez i nie nadaje się do użytku domowego!

Ponadto produkt ten jest przeznaczony wyłącznie dla wykwalifikowanych użytkowników posiadających wiedzę w zakresie obsługi technicznej imprez!

Użytkowanie produktu niezgodnie z wyszczególnionymi danymi technicznymi i warunkami eksploatacji uważa się za niezgodne z przeznaczeniem!

Odpowiedzialność za szkody i obrażenia osób trzecich, spowodowane użytkowaniem niezgodnym z przeznaczeniem, jest wyłączona!

Produkt nie jest przeznaczony dla:

- osób (w tym dzieci) o ograniczonych możliwościach fizycznych, sensorycznych lub umysłowych, a także osób niemających doświadczenia i wiedzy.
- dzieci (należy poinstruować dzieci, aby nie bawiły się urządzeniem).

OBJAŚNIENIA TERMINOLOGII I SYMBOLI

1. **NIEBEZPIECZEŃSTWO:** Słowo NIEBEZPIECZEŃSTWO, ewentualnie w połączeniu z symbolem, wskazuje na bezpośrednie niebezpieczne sytuacje lub stany zagrożenia dla życia i zdrowia.
2. **OSTRZEŻENIE:** Słowo OSTRZEŻENIE, ewentualnie w połączeniu z symbolem, wskazuje na potencjalnie niebezpieczne sytuacje lub stany zagrażające zdrowiu lub życiu.
3. **PRZESTROGA:** Słowo PRZESTROGA, ewentualnie w połączeniu z symbolem, wskazuje na sytuacje lub stany, które mogą prowadzić do obrażeń ciała.
4. **UWAGA:** Słowo UWAGA, ewentualnie w połączeniu z symbolem, wskazuje na sytuacje lub stany, które mogą prowadzić do szkód materialnych i/lub środowiskowych.



Ten symbol oznacza zagrożenia, które mogą być przyczyną porażenia prądem elektrycznym.



Ten symbol oznacza niebezpieczne miejsca lub sytuacje.



Ten symbol oznacza niebezpieczeństwa związane z gorącymi powierzchniami.



Ten symbol oznacza niebezpieczeństwa związane z intensywnym źródłem światła.



Ten symbol oznacza urządzenie, w którym nie ma części wymienianych przez użytkownika.



Ten symbol wskazuje na dodatkowe informacje dotyczące obsługi urządzenia.

ZASADY BEZPIECZEŃSTWA



NIEBEZPIECZEŃSTWO:

1. Nie otwierać urządzenia ani nie modyfikować go.
2. Jeśli urządzenie nie działa prawidłowo, do jego wnętrza dostały się przedmioty lub płyny albo zostało ono uszkodzone w inny sposób, należy je natychmiast wyłączyć i odłączyć od źródła napięcia. Naprawy urządzenia może przeprowadzać wyłącznie autoryzowany personel.
3. W przypadku urządzeń o klasie ochronności 1 przewód ochronny musi być prawidłowo podłączony. Nigdy nie odłączać przewodu ochronnego. Urządzenia o klasie ochronności 2 nie mają przewodu ochronnego.
4. Upewnić się, że przewody pod napięciem nie są zgięte ani w inny sposób uszkodzone mechanicznie.
5. Nigdy nie mostkować bezpiecznika urządzenia.



OSTRZEŻENIE:

1. Urządzenia nie wolno uruchamiać, gdy jest ono w widoczny sposób uszkodzone.
2. Urządzenie wolno instalować wyłącznie w stanie beznapięciowym.
3. Jeśli kabel sieciowy jest uszkodzony, nie wolno uruchamiać urządzenia.
4. Podłączone na stałe przewody zasilające mogą być wymieniane tylko przez wykwalifikowaną osobę.



UWAGA:

1. Nie uruchamiać urządzenia, jeśli było ono narażone na duże wahania temperatury (np. po transporcie). Wilgoć i kondensat mogą uszkodzić urządzenie. Włączyć urządzenie dopiero wtedy, gdy osiągnie temperaturę otoczenia.
2. Sprawdzić, czy napięcie i częstotliwość sieci elektrycznej są zgodne z parametrami podanymi na urządzeniu. Jeżeli urządzenie jest wyposażone w selektor napięcia, nie podłączać urządzenia do źródła zasilania, dopóki selektor nie zostanie ustawiony poprawnie. Używać tylko odpowiedniego kabla sieciowego.
3. Aby odłączyć urządzenie od sieci na wszystkich biegunach, nie wystarczy naciśnięcie wyłącznika zasilania na urządzeniu.
4. Zastosowany bezpiecznik powinien być tego samego typu jak nadrukowany na urządzeniu.
5. Upewnić się, że podjęto odpowiednie działania zapobiegające przepięciu (np. wyładowania atmosferyczne).
6. Przestrzegać podanego maksymalnego prądu wyjściowego dla urządzeń ze złączem Power Out. Całkowity pobór prądu wszystkich podłączonych urządzeń nie może przekroczyć wymaganej wartości.
7. Wtykane przewody zasilające wymieniać wyłącznie na oryginalne.



NIEBEZPIECZEŃSTWO:

1. Niebezpieczeństwo uduszenia! Worki z tworzywa sztucznego i drobne części należy przechowywać poza zasięgiem osób (łącznie z dziećmi) o ograniczonej sprawności fizycznej, sensorycznej lub umysłowej.
2. Niebezpieczeństwo upadku! Upewnić się, że urządzenie zostało bezpiecznie zainstalowane i nie może upaść. Używać wyłącznie odpowiednich statywów bądź mocowań (zwłaszcza w przypadku instalacji stałych). Upewnić się, że akcesoria są prawidłowo zainstalowane i zabezpieczone. Należy przy tym przestrzegać obowiązujących przepisów bezpieczeństwa.



OSTRZEŻENIE:

1. Używać urządzenia tylko zgodnie z przeznaczeniem.
2. Używać urządzenia wyłącznie z akcesoriami zalecanymi i przewidzianymi przez producenta.
3. Podczas instalacji przestrzegać krajowych przepisów bezpieczeństwa.
4. Po podłączeniu urządzenia należy sprawdzić ułożenie wszystkich kabli, aby uniknąć szkód lub wypadków spowodowanych np. przez potknięcie się.
5. Należy bezwzględnie przestrzegać podanego minimalnego odstępów od materiałów normalnie palnych! Jeśli nie zostało to wyraźnie określone, minimalny odstęp wynosi 0,3 m.



PRZESTROGA:

1. Ruchome elementy, takie jak wsporniki montażowe lub inne, mogą ulec zakleszczeniu.
2. W przypadku urządzeń z elementami napędzanymi mechanicznie istnieje niebezpieczeństwo obrażeń w wyniku ruchów urządzenia. Nagłe ruchy urządzenia mogą wystraszyć użytkownika.
3. Podczas regularnej pracy powierzchnia obudowy urządzenia może się silnie nagrzewać. Zachować ostrożność, aby przypadkowo nie dotknąć obudowy. Przed demontażem, pracami konserwacyjnymi, ładowaniem itp. należy zawsze poczekać, aż urządzenie ostygnie.



UWAGA:

1. Nie instalować ani nie eksploatować urządzenia w pobliżu grzejników, akumulatorów ciepła, pieców ani innych źródeł ciepła. Upewnić się, że urządzenie jest zawsze instalowane w taki sposób, aby zapewnić wystarczające chłodzenie i nie dopuścić do przegrzania.
2. W pobliżu urządzenia nie umieszczać źródeł zapłonu, takich jak zapalone świece.
3. Nie wolno zakrywać otworów wentylacyjnych ani blokować wentylatorów.
4. Do transportu należy używać oryginalnych opakowań lub opakowań przewidzianych do tego celu przez producenta.
5. Nie narażać urządzenia na wstrząsy ani uderzenia.
6. Uwzględnić zgodnie ze specyfikacją stopień ochrony IP oraz warunki otoczenia, takie jak temperatura i wilgotność.
7. Urządzenia mogą być stale modernizowane. W przypadku rozbieżności informacji dotyczących warunków pracy, wydajności lub innych właściwości urządzenia w instrukcji obsługi i na oznaczeniu urządzenia zawsze pierwszeństwo mają informacje podane na urządzeniu.
8. Urządzenie nie jest przystosowane do pracy w klimacie tropikalnym ani na wysokości powyżej 2000 m n.p.m.
9. O ile nie wskazano wyraźnie, urządzenie nie nadaje się do eksploatacji w warunkach morskich.



WSKAZÓWKA:

W przypadku zestawów do przebudowy, doposażenia lub akcesoriów przewidzianych przez producenta należy bezwzględnie przestrzegać dołączonej instrukcji montażu.

PRZESTROGA! WAŻNE INFORMACJE DOTYCZĄCE PRODUKTÓW OŚWIETLENIOWYCH!



1. Nigdy nie patrzeć bezpośrednio w źródło światła, nawet przez krótką chwilę.
2. Nigdy nie patrzeć w źródło światła za pomocą przyrządów optycznych, takich jak lupy.



3. Efekty stroboskopowe mogą wywoływać u wrażliwych osób ataki epileptyczne!



4. Lamy te mają zamontowane na stałe źródło światła, którego użytkownik nie może wymienić. Źródło światła w tej oprawie może być wymieniane wyłącznie przez producenta, jego partnera serwisowego lub osobę o podobnych kwalifikacjach.

UWAGI DOTYCZĄCE PRZENOŚNEGO SPRZĘTU DO STOSOWANIA W POMIESZCZENIACH



1. Praca tymczasowa! Sprzęt do organizacji imprez zasadniczo przeznaczony jest do pracy tymczasowej.
2. Ciągła eksploatacja lub montaż na stałe może prowadzić do pogorszenia funkcjonalności i przedwczesnego starzenia się urządzeń.

ZAKRES DOSTAWY

Wyjąć produkt z opakowania i usunąć wszystkie materiały opakowaniowe.

Należy sprawdzić, czy przesyłka jest kompletna i nienaruszona, a w przypadku niekompletności lub uszkodzeń natychmiast powiadomić dystrybutora.

W zakres dostawy wchodzi:

- ▶ 1 x ruchoma głowica LED AZOR S2
- ▶ 2 uchwyty montażowe Omega
- ▶ 1 x kabel sieciowy
- ▶ Instrukcja obsługi

WPROWADZENIE

LED MOVING HEAD

CLAZORS2

FUNKCJE STEROWANIA:

Sterowanie 21-kanałowe standardowe, 24-kanałowe standardowe, 28-kanałowe rozszerzone DMX

DMX512

W-DMX™ przez opcjonalny moduł Cameo iDMX Stick

RDM

Tryb pracy master/slave

Funkcje trybu standalone

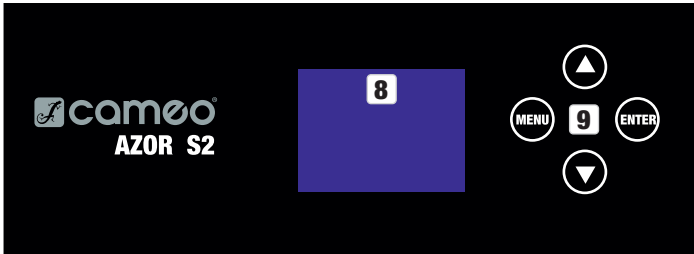
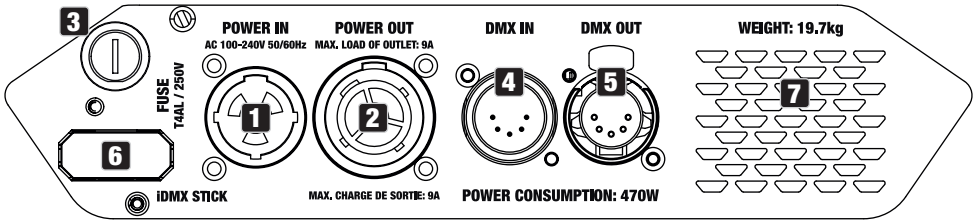
CHARAKTERYSTYKA:

Zimna biel LED 300 W. Mieszanie kolorów CMY. Koło kolorów z 8 kolorami plus otwór. 2 koła gobo z 8 obrotowymi tarczami gobo i 11 stałymi tarczami gobo plus otwory. Funkcja zoom, ogniskowanie, przysłona irysowa, pryzmat i funkcja Frost. DMX512. Złącze do opcjonalnego modułu iDMX Stick do bezprzewodowego sterowania za pomocą W-DMX™. 5-pinowe złącza DMX. W zestawie 2 uchwyty montażowe Omega.

Reflektor może pracować w standardzie RDM (Remote Device Management). Jest to system zdalnego sterowania urządzeniem, który umożliwia sprawdzanie statusu i konfigurowanie urządzeń końcowych RDM za pomocą sterownika RDM, np. opcjonalnie dostępnego Cameo UNICON (numer artykułu CLIREMOTE).

Cameo UNICON umożliwia ponadto dostęp do całego menu reflektorów.

PRZYŁĄCZA, ELEMENTY OBSŁUGI I WSKAŹNIKI



1 POWER IN

Gniazdo wejściowe kompatybilne z TRUE1. Napięcie robocze: 100–240 V AC / 50–60 Hz. Podłączenie za pomocą zawartego w zestawie kabla sieciowego.

2 POWER OUT

Gniazdo wyjściowe kompatybilne z TRUE1. Źródło zasilania dodatkowych reflektorów CAMEO. Całkowity pobór prądu wszystkich podłączonych urządzeń nie może przekroczyć wartości w amperach (A) podanej na urządzeniu.

3 FUSE

Oprawa na bezpieczniki 5 x 20 mm. **WAŻNA WSKAZÓWKA:** Bezpiecznik należy wymieniać wyłącznie na bezpiecznik tego samego typu i o tych samych parametrach. Jeżeli bezpiecznik zadziała powtórnie, należy zwrócić się do autoryzowanego centrum serwisowego.

4 DMX IN

5-pinowe złącze męskie XLR do podłączenia kontrolera DMX (np. pulpitu DMX).

5 DMX OUT

5-pinowe złącze żeńskie XLR do przekazywania sygnału sterującego DMX.

6 IDMX STICK

Złącze do opcjonalnego gniazda iDMX Stick do połączenia W-DMX™ (należy włożyć moduł iDMX Stick tak, aby antena była skierowana ku górze). Należy zapoznać się z ustawieniami w części **Bezprzewodowe** w menu Ustawienia.

7 OTWORY WENTYLACYJNE

Aby zapobiec uszkodzeniu urządzenia, nie wolno zakrywać otworów wentylacyjnych z tyłu urządzenia i trzeba zapewnić swobodną cyrkulację powietrza.

8 WYŚWIETLACZ OLED

Wyświetlacz OLED pokazuje bieżący tryb pracy (widok główny), pozycje z menu edycji oraz wartość liczbową lub stan pracy w poszczególnych pozycjach menu. Po ok. 1 minucie bezczynności wyświetlacz automatycznie wraca do ekranu głównego. Wskazówka dotycząca ekranu głównego w trybach pracy z zewnętrznym sterowaniem: Gdy sygnał sterujący zostanie przerwany, znaki na wyświetlaczu zaczną migać, a gdy sygnał zostanie ponownie włączony, przestaną migać.

9 PRZCISKI

MENU — Nacisnąć przycisk MENU, aby przejść do menu głównego. Ponowne lub kilkukrotne naciśnięcie przycisku powoduje powrót do ekranu głównego. Naciśnięcie przycisku MENU bez zatwierdzenia wprowadzonej zmiany przyciskiem ENTER spowoduje przywrócenie wcześniej ustawionej wartości lub statusu.

ENTER — Naciskając przycisk ENTER, można przejść do poziomu menu, umożliwiającego dokonywanie zmian wartości. Za pomocą przycisku ENTER można też uzyskiwać dostęp do podmenu. Wprowadzone zmiany ustawień można również potwierdzać przez naciśnięcie przycisku ENTER.

▲ i ▼ — Wybór poszczególnych pozycji w głównym menu (adres DMX, tryb pracy DMX itp.) oraz w podmenu. Przyciski te umożliwiają dowolną zmianę wartości wybranej pozycji menu, np. adresu DMX. (nacisnąć długo = szybka zmiana wartości).

10 ZAGŁĘBIENIA UCHWYTÓW

Oprócz dwóch uchwytów transportowych w podstawie urządzenia w górnej części po wewnętrznej stronie obu ramion znajdują się praktyczne zagłębienia uchwytów.



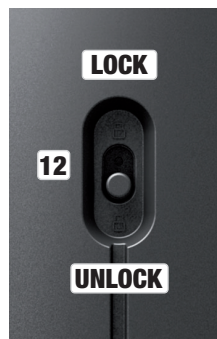
11 PAN LOCK

Mechaniczna blokada zapobiegająca obróceniu się głowicy w poziomie podczas transportu. Odłączyć urządzenie od zasilania, ustawić głowicę równoległe do podstawy (8 możliwych pozycji) i nacisnąć dźwignię blokującą w celu zatrzaśnięcia w kierunku osi obrotowej (LOCK). Odblokować urządzenie przed jego ponownym użyciem (UNLOCK).



12 TILT LOCK

Mechaniczna blokada zapobiegająca obróceniu się głowicy w pionie podczas transportu (7 możliwych pozycji). Odłączyć urządzenie od sieci elektrycznej i przesunąć dźwignię blokującą w kierunku osi obrotu, przemieszczając głowicę urządzenia w pionie aż do znalezienia jednej z 7 pozycji blokady i zatrzaśnięcia dźwigni blokującej (LOCK). Odblokować urządzenie przed jego ponownym użyciem (UNLOCK).



- Ilustracje poglądowe -

OBSŁUGA

UWAGI

Podczas uruchamiania reflektora na wyświetlaczu przez krótki czas wyświetlany jest komunikat „Update Wait”, a po nim „Welcome to Cameo”, nazwa modelu i wersja oprogramowania. Następnie silniki zostaną zresetowane (Motor Reset Please Wait). Następnie reflektor jest gotowy do pracy w ostatnio wybranym trybie.

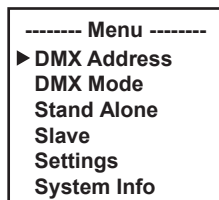
EKRAN GŁÓWNY WYŚWIETLACZA W TRYBIE PRACY DMX

Główny wyświetlacz w trybie DMX pokazuje aktualnie ustawiony adres startowy DMX (patrz rysunek). Jeśli na reflektorze nie ma sygnału DMX, znaki na wyświetlaczu migają.



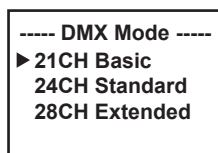
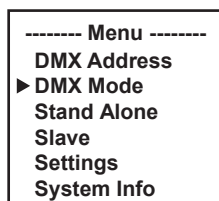
USTAWIANIE ADRESU STARTOWEGO DMX (DMX Address)

Rozpoczynając od ekranu głównego, naciśnij MENU, aby wejść do menu głównego. Przyciskami ▲ i ▼ wybierz opcję **DMX Address** i potwierdź wybór przyciskiem ENTER. Ustaw żądany adres początkowy DMX za pomocą przycisków ▲ i ▼ potwierdź przyciskiem ENTER (najwyższa wartość zależy od aktualnie ustawionego trybu pracy DMX).



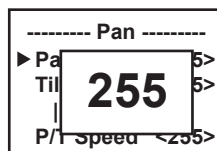
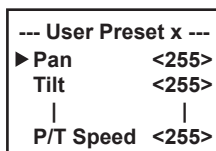
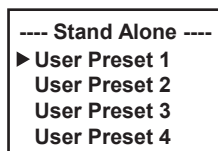
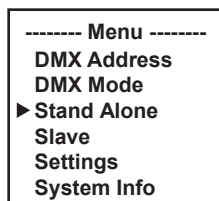
USTAWIANIE TRYBU DMX (DMX Mode)

Rozpoczynając od ekranu głównego, naciśnij MENU, aby wejść do menu głównego. Przyciskiem ▲ lub ▼ wybierz opcję **DMX Mode** i potwierdź wybór przyciskiem ENTER. Za pomocą przycisku ▲ lub ▼ wybierz żądany tryb obsługi DMX i potwierdź przyciskiem ENTER. Tabele wykorzystania kanałów dla różnych trybów DMX można znaleźć w tej instrukcji w punkcie STEROWANIE DMX.



TRYB PRACY STAND-ALONE (Stand Alone)

W trybie stand-alone dostępne są cztery indywidualnie ustawiane sceny. Na ekranie głównym naciśnij MENU, aby wejść do menu głównego. Przyciskami ▲ lub ▼ i wybierz opcję **Stand Alone** i potwierdź wybór dwukrotnym naciśnięciem przycisku ENTER. Przyciskami ▲ i ▼ wybierz żądane ustawienie wstępne i potwierdź przyciskiem ENTER.



Wybrać żądaną pozycję podmenu, potwierdzić, ustawić żądaną wartość i ponownie potwierdzić.

User Preset X		000	-	255	
Tilt		000	-	255	0% -> 100%
Pan		000	-	255	0% -> 100%
Dimmer		000	-	255	Master dimmer 0% -> 100%
Strobe		000	-	255	Multifunctional Strobe
Cyan		000	-	255	CMY
Magenta		000	-	255	
Yellow		000	-	255	
Colour		000	-	255	Colour Wheel
Gobo 1		000	-	255	Gobo Wheel 1
Gobo 1 Rot.		000	-	255	Gobo 1 Rotation
Gobo 2		000	-	255	Gobo Wheel 2
Zoom		000	-	255	Narrow -> wide
Focus		000	-	255	0% -> 100%
Iris		000	-	255	0% -> 100%
PrismSelect		000	-	255	Prism selection
Prism 1		000	-	255	Prism 1 position / rotation
Prism 2		000	-	255	Prism 2 position / rotation
Frost		000	-	255	0% -> 100%
P/T Macro		000	-	255	Pan / Tilt Macro
P/T Speed		000	-	255	Pan / Tilt Macro speed

TRYB SLAVE

Rozpoczynając od ekranu głównego, naciśnij MENU, aby wejść do menu głównego. Przyciskiem ▲ lub ▼ wybierz opcję **Slave** i potwierdź wybór przyciskiem ENTER. Połącz urządzenia slave i master (ten sam model, ta sama wersja oprogramowania) kablem DMX i włącz w urządzeniu master jeden z trybów stand-alone. Praca urządzenia slave jest teraz dokładnie dostosowana do pracy urządzenia master. Sygnał sterujący można alternatywnie przesyłać przez W-DMX (opcjonalnie dostępny jest moduł iDMX Stick).

----- Menu -----
DMX Address
DMX Mode
Stand Alone
▶ Slave
Settings
System Info



USTAWIENIA SYSTEMU (Settings)

Rozpoczynając od ekranu głównego, naciśnij MENU, aby wejść do menu głównego. Przyciskami ▲ i ▼ wybierz opcję **Settings** i potwierdź wybór przyciskiem ENTER.

----- Menu -----
DMX Address
DMX Mode
Stand Alone
Slave
▶ Settings
System Info

----- Settings -----
▶ Wireless
Display
Service

Nastąpi przejście do podmenu, w którym można dokonać ustawień punktów podmenu (patrz tabela, wybór przyciskiem ▲ i ▼, potwierdzenie przyciskiem ENTER, zmiana wartości lub statusu przyciskiem ▲ i ▼, potwierdzenie przyciskiem ENTER).

Settings (Ustawienia)					
Wireless	Ustawienia bezprzewodowe (pamięć iDMX Stick jest opcjonalna)	iDMX State	Off	Sterowanie bezprzewodowe wyłączone	
			On	Sterowanie bezprzewodowe włączone	
		Signal Routing	To XLR	Signal -> DMX OUT	
			Backup by XLR	Kopia zapasowa przez DMX IN w przypadku przerwania sygnału W-DMX	
	Receive only	Tylko odbiór W-DMX			
Wyświetlacz	Ustawienia wyświetlacza	Display Reverse	Off	Obraz wyświetlacza nie jest obrócony	
			On	Obrócenie obrazu wyświetlacza o 180° (np. przy montażu urządzenia „do góry nogami”)	
		Display Off Timer	Always On	wyświetlacz stale włączony	
			Off after 20s	Wyłączenie po ok. 20 sekundach bezczynności	
		Autolock	Off	Funkcja Autolock wyłączona	
			On	Sterowanie blokuje się po ok. 30 sekundach bez wprowadzania danych (LOCKED). Aby odblokować: Nacisnąć i przytrzymać przycisk MENU przez ok. 3 sekundy.	

Dimmer	Ustawienia ściemniacza	Dimmer Curve	Linear	Natężenie światła wzrasta liniowo wraz ze wzrostem wartości DMX	
			Exponential	Natężenie światła można ustawić precyzyjnie w dolnym zakresie wartości DMX oraz zgrubnie w górnym zakresie wartości DMX	
			Logarithmic	Natężenie światła można ustawić zgrubnie w dolnym zakresie wartości DMX oraz precyzyjnie w górnym zakresie wartości DMX	
			S-Curve	Natężenie światła można ustawić precyzyjnie w górnym i dolnym zakresie wartości DMX oraz zgrubnie w środkowym zakresie wartości DMX	
	Dimmer Response = regulacja ściemnienia	Dimmer Response	LED	Reflektor reaguje gwałtownie na zmianę wartości DMX	
			Halogen	Reflektor reaguje subtelnymi zmianami jasności, podobnie jak reflektor halogenowy	
		PWM Frequency = częstotliwość modulacji PWM LED	PWM Frequency	650 Hz, 1530 Hz, 3600 Hz, 12 kHz, 18,9 kHz, 25 kHz	regulacja częstotliwości PWM lampy LED
Movement	Regulacja ruchów głowicy	Pan Reverse	Off	Zmiana kierunku obrotu w poziomie wyłączona	
			On	Zmiana kierunku obrotu w poziomie włączona	
		Tilt Reverse	Off	Zmiana kierunku obrotu w pionie wyłączona	
			On	Zmiana kierunku obrotu w pionie włączona	
		Pan Angle	540°	Kąt obrotu w poziomie 540°	
			630°	Kąt obrotu w poziomie 630°	
		Position Feedback	Off	Automatyczna korekta pozycji głowicy wyłączona	
			On	Automatyczna korekta pozycji głowicy włączona	
		Move In Black	Off	Wygaszenie podczas ruchu głowicy wyłączone	
			On	Wygaszenie podczas ruchu głowicy włączone	
		Silent Movement	Off	funkcja wyłączona	
			On	Mniejsza prędkość silnika zapewniająca cichszą pracę	

Wheels	Ustawianie kół gobo i koła kolorów	Gobo Wheel	Position	Clockwise	Tarcza gobo obraca się zawsze zgodnie z ruchem wskazówek zegara	
				Shortest way	Koło gobo obraca się najkrótszą drogą	
			Movement	Snap	Koło gobo przeskakuje bezpośrednio dożądanego filtra koloru, gdy zostanie osiągnięta odpowiednia wartość	
				Scroll	Płynne obracanie się tarcz gobo	
		Colour Wheel	Position	Clockwise	Koło kolorów obraca się zawsze zgodnie z ruchem wskazówek zegara	
				Shortest way	Koło kolorów obraca się najkrótszą drogą	
			Movement	Snap	Koło kolorów przeskakuje bezpośrednio dożądanego filtra koloru, gdy zostanie osiągnięta odpowiednia wartość	
				Scroll	Płynne obracanie się kół kolorów	
		Move In Black	Off	Brak wygaszania przy zmianach wartości kolorów i tarcz gobo oraz przyzmatów		
			On	Wygaszenie podczas zmiany wartości kolorów i tarcz gobo		
Fan Set	Ustawienia wentylatora	Auto	automatyczne sterowanie wentylatorem			
		Fan Off	Wentylator wyłączony przy znacznej redukcji jasności			
		Constant Low	Stała niska prędkość wentylatora przy zredukowanej jasności, w razie potrzeby			
		Constant Mid	Stała średnia prędkość wentylatora przy zredukowanej jasności, w razie potrzeby			
		Constant High	Stała wysoka prędkość wentylatora			
Signal Fail	Tryb pracy w przypadku przerwania sygnału DMX	Hold	ostatnie polecenie zostanie zachowane			
		Blackout	aktywuje wygaszenie reflektora			
		Fade Out 10s	10 sekund na zaciemnienie			
		User Preset 1	Aktywuje funkcję User Preset 1			

Service	Reseto- wanie ustawień	Store Default	User Default A	Zapisywanie ustawień użytkownika A
			User Default B	Zapisywanie ustawień użytkownika B
			User Default C	Zapisywanie ustawień użytkownika C
		Load Default	Factory Default	Przywracanie ustawień fabrycznych: przywróć ustawienia: ENTER, anuluj: MENU
			User Default A	Resetowanie do użytkownika A: przywróć ustawie- nia: ENTER, anuluj: MENU
			User Default B	Resetowanie do użytkownika B: przywróć ustawie- nia: ENTER, anuluj: MENU
	Reset	User Default C	Resetowanie do użytkownika C: przywróć ustawie- nia: ENTER, anuluj: MENU	
		Pan/Tilt	Resetowanie silników obrotu i pochylania	
		Head	Resetowanie wszystkich silników w głowicy reflektora	
	Password	All func- tions	Resetowanie wszystkich silników	
		Tylko do celów serwisowych		

INFORMACJE O SYSTEMIE (System Info)

Na ekranie głównym naciśnij MODE, aby wejść do menu głównego. Przyciskami ▲ lub ▼ wybierz pozycję menu **System Info** i potwierdź przyciskiem ENTER.

----- Menu -----
DMX Address
DMX Mode
Stand Alone
Slave
Settings
▶ System Info

---- System Info ----
▶ Firmware
Sensor
Operation Hours
Errors

Spowoduje to przejście do podmenu umożliwiającego wywołanie informacji systemowych (patrz tabela, wybór przyciskami ▲ lub ▼, potwierdzenie przyciskiem ENTER, zmiana statusu przyciskami ▲ lub ▼, potwierdzenie przyciskiem ENTER).

Info		
Firmware	1U	V1.x.x
	2U	V1.x.x
	3U	V1.x.x
	4U	V1.x.x
	5U	V1.x.x
	6U	V1.x.x

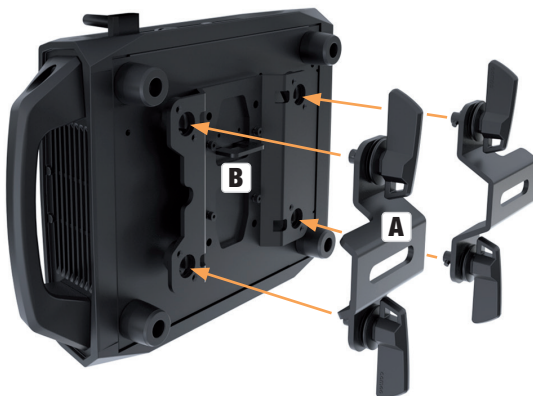
Sensor	Temperature	LED	xx°C / xx°F
		Base	xx°C / xx°F
	Temperature Unit	°C	stopień (Celsjusza)
		°F	stopień (Fahrenheita)
	Fan Speed	LED	Obroty wentylatora LED xxxxRPM
		Motor	Obroty wentylatorów silników xxxxRPM
Base		Obroty wentylatora podstawy urządzenia xxxxRPM	
Operation Hours	Operation Time	xxx:xxh	Całkowity czas pracy
	LED Time	xxx:xxh	Czas pracy modułu LED
Errors	Wyświetlanie informacji o błędach		

USTAWIANIE I MONTAŻ



NIEBEZPIECZEŃSTWO: Montaż na wysokości wymaga dużego doświadczenia w zakresie obliczania limitów obciążenia, stosowanych materiałów instalacyjnych oraz okresowych przeglądów bezpieczeństwa wszystkich materiałów instalacyjnych i reflektorów. Użytkownik bez odpowiednich kwalifikacji nie powinien wykonywać instalacji samodzielnie, lecz powinien skorzystać z pomocy profesjonalnych firm. Istnieje ryzyko, że nieprawidłowo zamontowane i niezabezpieczone urządzenia poluzują się i spadną. Może to spowodować poważne obrażenia ciała lub śmierć.

Gumowe nóżki służą do ustawienia reflektora w odpowiednim miejscu na płaskiej powierzchni. Do montażu reflektora na trawersie służą dwa uchwyty Omega, które należy przymocować do podstawy urządzenia (A). Uchwyty Omega należą do zakresu dostawy, natomiast zaciski do kratownicy są dostępne jako opcja. Należy zapewnić trwałe połączenia i zamocować reflektor odpowiednią liną zabezpieczającą w wyznaczonym miejscu (B).



- Ilustracje poglądowe -

CZYSZCZENIE, KONSERWACJA I NAPRAWY

Aby zapewnić bezawaryjne działanie urządzenia przez długi czas, należy je regularnie czyścić i w razie potrzeby serwisować. Konieczność czyszczenia lub konserwacji zależy od intensywności użytkowania i rodzaju otoczenia.

Generalnie zalecamy kontrolę wzrokową przed każdym uruchomieniem. Ponadto zalecamy przeprowadzanie wszystkich wymienionych poniżej i odpowiednich czynności konserwacyjnych co 500 godzin pracy lub – w przypadku mniejszej intensywności użytkowania — najpóźniej po upływie jednego roku. W przypadku usterek spowodowanych niedostateczną konserwacją może dojść do ograniczenia roszczeń gwarancyjnych.

CZYSZCZENIE (wykonywane przez użytkownika)



OSTRZEŻENIE! Przed każdym czyszczeniem należy odłączyć zasilanie i w miarę możliwości także wszystkie połączenia urządzenia.



WSKAZÓWKA! Niewłaściwe czyszczenie może doprowadzić do uszkodzenia urządzenia, a nawet jego zniszczenia.

1. Powierzchnie obudowy należy czyścić czystą wilgotną ściereczką. Należy przy tym uważać, aby do urządzenia nie dostała się wilgoć.
2. Otwory wlotowe i wylotowe powietrza muszą być regularnie czyszczone z pyłu i brudu. W przypadku zastosowania sprężonego powietrza należy uważać, aby nie uszkodzić urządzenia (np. wentylatory muszą być zablokowane)
3. Przewody i styki wtykowe należy regularnie czyścić i usuwać z nich pył i zabrudzenia.
4. Do pielęgnacji nie wolno stosować środków czyszczących ani środków o działaniu ściernym, w przeciwnym razie może dojść do pogorszenia jakości powierzchni.
5. Urządzenia należy przechowywać w suchym miejscu oraz chronić je przed kurzem i brudem.

KONSERWACJA I NAPRAWA (tylko przez wykwalifikowany personel)



NIEBEZPIECZEŃSTWO! W urządzeniu znajdują się elementy będące pod napięciem. Nawet po odłączeniu od sieci w urządzeniu może jeszcze występować napięcie resztkowe, np. z powodu naładowanych kondensatorów.



WSKAZÓWKA! W urządzeniu nie ma żadnych podzespołów, które mogą być serwisowane przez użytkownika.



WSKAZÓWKA! Prace konserwacyjne i naprawcze mogą być wykonywane wyłącznie przez wyspecjalizowany personel upoważniony przez producenta. W razie wątpliwości skontaktować się z producentem.



WSKAZÓWKA! Nieprawidłowo wykonane czynności konserwacyjne mogą spowodować utratę roszczeń z tytułu rękojmi.

WYMIARY (mm)

ENGLISH

DEUTSCH

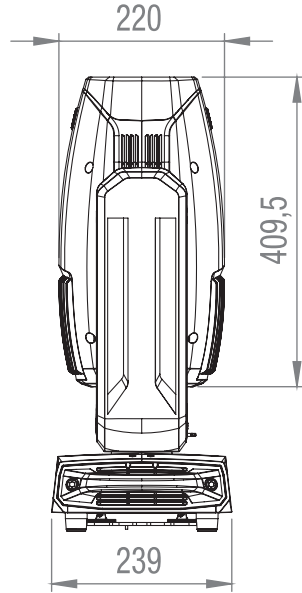
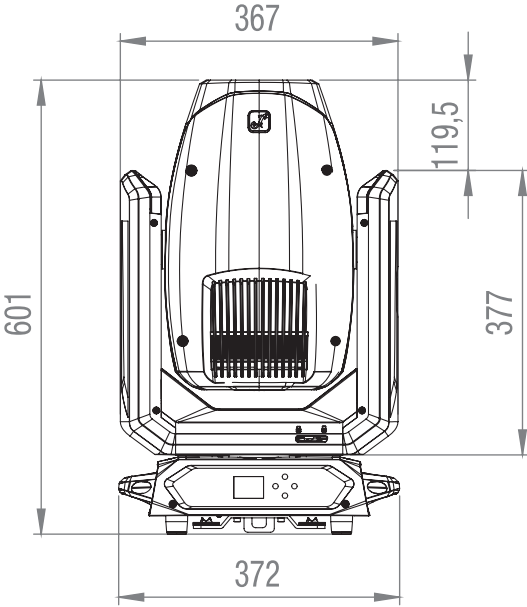
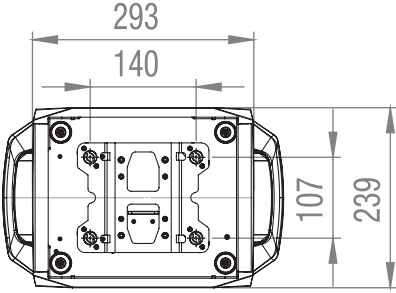
FRANCAIS

ESPAÑOL

POLSKI

ITALIANO

DMX



DANE TECHNICZNE

NUMER ARTYKUŁU:	GLAZORS2
Rodzaj produktu:	Oświetlenie dynamiczne LED
Typ:	Spot
Widmo kolorów LED:	Zimna biel 6800 K
Liczba diod LED:	1
Typ diod LED:	300 W
Kąt promieniowania (kąt półrozszerzenia):	5–50°
System mieszania kolorów:	CMY
Liczba kolorów:	8 + otwarte, płynna regulacja ustawienia koła barw
Liczba gobo:	11 stałych + 8 obrotowych i indeksowanych + otwór
Częstotliwość modulacji PWM:	650 Hz; 1530 Hz; 3600 Hz; 12 kHz; 18,9 kHz; 25 kHz
Wejście DMX:	5-pinowe złącze męskie XLR
Wyjście DMX:	5-pinowe złącze żeńskie XLR
Tryb DMX:	21-CH Basic, 24-CH Standard, 28-CH Extended
Funkcje DMX:	obroty pan/ tilt, precyzyjne sterowanie obrotami pan/ tilt, ściemnianie, ściemnianie precyzyjne, stroboskop, cyjan, magenta, żółty, koło kolorów, tarcza gobo 1, rotacja tarczy gobo 1, precyzyjna rotacja tarczy gobo 1, tarcza gobo 2, zoom, zoom precyzyjny, focus, ogniskowanie precyzyjne, przysłona, wybór pryzmatu, pryzmat 1, pryzmat 2, filtr typu frost, ustawienia urządzenia
Funkcje standalone:	User Preset 1-4, tryb Master/Slave
Sterowanie:	DMX512, RDM, kompatybilne z modułem iDMX Stick
Kąt obrotu w poziomie:	540° / 630°
Kąt obrotu w pionie:	270°
Elementy obsługowe:	MENU, ENTER, strzałka w górę, strzałka w dół
Elementy wskazujące:	Wyświetlacz OLED
Napięcie robocze:	100–240 V AC / 50–60 Hz
Pobór mocy:	470 W
Strumień świetlny:	11 000 lm
Złącze zasilania elektrycznego:	Wejście i wyjście kompatybilne z True1 (maks. prąd wyjściowy 12 A)
Bezpiecznik:	T4AL 250 V (5 x 20 mm)

ENGLISH

DEUTSCH

FRANCAIS

ESPAÑOL

POLSKI

ITALIANO

DMX

NUMER ARTYKUŁU: CLAZORS2

Temperatura otoczenia (w czasie pracy): 0–40°C

Względna wilgotność powietrza: <85%, bez kondensacji

Minimalny odstęp od oświetlonej powierzchni: 3 m

Minimalny odstęp od materiałów normalnie palnych: 0,5 m

Materiał obudowy: Metal, ABS

Kolor obudowy: czarny

Stopień ochrony: IP20

Chłodzenie obudowy: Wentylatory sterowane temperaturą

Wymiary (szer. x wys. x gł., bez uchwyty montażowego): 372 x 601 x 239 mm

Masa: 19,7 kg

Pozostałe parametry: W zestawie kabel sieciowy o dł. 1 m z wtyczką zgodną z True1 i 2 uchwyty montażowe Omega

ENGLISH

DEUTSCH

FRANCAIS

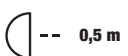
ESPAÑOL

POLSKI

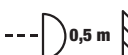
ITALIANO

DMX

MINIMALNA ODLEGŁOŚĆ OD POWIERZCHNI OŚWIETLANEJ

 Ten symbol z informacją o odległości w metrach (m) wskazuje minimalną odległość iluminatora od powierzchni oświetlanej. W tym przykładzie odległość wynosi 0,5 m. Wartości obowiązujące dla tego urządzenia można znaleźć w danych technicznych w niniejszej instrukcji oraz na nadruku na obudowie urządzenia!

MINIMALNA ODLEGŁOŚĆ OD MATERIAŁÓW NORMALNIE PALNYCH

 Ten symbol z informacją o odległości w metrach (m) wskazuje minimalną odległość urządzenia od materiałów normalnie palnych. W tym przykładzie odległość wynosi 0,5 m. Wartości obowiązujące dla tego urządzenia można znaleźć w danych technicznych w niniejszej instrukcji!

UTYLIZACJA



Opakowanie:

1. Opakowania można oddać do recyklingu, wykorzystując zwykłe drogi utylizacji.
2. Opakowanie należy segregować zgodnie z obowiązującymi w danym kraju przepisami dotyczącymi utylizacji.



Urządzenie:

1. To urządzenie podlega obowiązującej dyrektywie europejskiej w sprawie zużytego sprzętu elektrycznego i elektronicznego. Dyrektywa WEEE (w sprawie zużytego sprzętu elektrycznego i elektronicznego). Nie wyrzucać zużytych urządzeń wraz z odpadami komunalnymi. Zużyte urządzenie należy zutylizować w autoryzowanym zakładzie utylizacji odpadów lub komunalnym zakładzie utylizacji odpadów. Należy przestrzegać przepisów obowiązujących w danym kraju!
2. Przestrzegać wszystkich przepisów i regulacji dotyczących usuwania odpadów obowiązujących w kraju użytkowania.
3. Klient prywatny otrzyma informacje na temat przyjaznych dla środowiska sposobów usunięcia produktu od sprzedawcy, u którego zakupił produkt, lub od właściwych władz lokalnych.

DEKLARACJE PRODUCENTA

GWARANCJA PRODUCENTA I OGRANICZENIE ODPOWIEDZIALNOŚCI

Adam Hall GmbH, Adam-Hall-Str. 1, D-61267 Neu Anspach / e-mail Info@adamhall.com / +49 (0)6081 / 9419-0.

Nasze aktualne warunki gwarancji oraz informację o ograniczeniu odpowiedzialności można znaleźć na stronie internetowej:

https://cdn-shop.adamhall.com/media/pdf/Manufacturers-Declarations-CAMEO_DE_EN_ES_FR.pdf.

W sprawie serwisu należy skontaktować się z dystrybutorem.

ZGODNOŚĆ CE

Adam Hall GmbH oświadcza niniejszym, że produkt spełnia wymogi następujących dyrektyw (o ile dotyczy):

Dyrektywa niskonapięciowa (2014/35/UE)

Dyrektywa EMC (2014/30/UE)

RoHS (2011/65/UE)

RED (2014/53/UE)

DEKLARACJA ZGODNOŚCI UE

Deklaracje zgodności dla produktów podlegających dyrektywom LVD, EMC i RoHS można uzyskać pod adresem info@adamhall.com.

Deklaracje zgodności dla produktów podlegających dyrektywie RED można pobrać ze strony www.adamhall.com/compliance/.

BŁĘDY W DRUKU I POMYŁKI ORAZ ZMIANY TECHNICZNE ZASTRZEŻONE!

AVETE FATTO LA SCELTA GIUSTA!

Questo dispositivo è stato sviluppato e prodotto secondo elevati standard qualitativi per garantire il regolare funzionamento per molti anni. Leggere attentamente questo manuale d'uso per utilizzare al meglio il nuovo prodotto di Cameo Light. Per maggiori informazioni su Cameo Light, consultare il nostro sito web **CAMEOLIGHT.COM**.

INFORMAZIONI SUL PRESENTE MANUALE D'USO

- Prima della messa in funzione leggere attentamente le istruzioni di sicurezza e l'intero manuale.
- Rispettare le avvertenze riportate sul dispositivo e nel manuale d'uso.
- Tenere sempre le istruzioni a portata di mano.
- Quando si vende o cede il dispositivo, assicurarsi di consegnare anche il presente manuale d'uso in quanto costituisce parte integrante del prodotto.

UTILIZZO CONFORME

Il prodotto è un dispositivo per la tecnologia degli eventi!

Il prodotto è stato sviluppato per l'uso professionale nell'ambito della tecnologia per eventi e non è adatto per l'illuminazione domestica!

Inoltre questo prodotto è destinato esclusivamente a utenti qualificati con conoscenze specialistiche in materia di tecnologia per eventi!

L'utilizzo del prodotto al di fuori delle condizioni di esercizio e dei dati tecnici specificati è da considerarsi non conforme all'uso previsto!

Si esclude qualsiasi responsabilità per lesioni e danni materiali diretti e indiretti a seguito di uso non conforme!

Il prodotto non è adatto per:

- Persone (compresi i bambini) con capacità fisiche, sensoriali o psichiche ridotte o non provvisti delle necessarie conoscenze ed esperienze.
- Bambini (ai bambini deve essere vietato giocare con il dispositivo).

SPIEGAZIONE DI CONCETTI E SIMBOLI

1. **PERICOLO:** la parola PERICOLO, eventualmente abbinata a un simbolo, indica situazioni o condizioni immediatamente pericolose per l'incolumità.
2. **AVVERTENZA:** la parola AVVERTENZA, eventualmente abbinata a un simbolo, indica situazioni o condizioni potenzialmente pericolose per l'incolumità.
3. **PRUDENZA:** la parola PRUDENZA, eventualmente abbinata a un simbolo, indica situazioni o condizioni che possono causare lesioni.
4. **ATTENZIONE:** la parola ATTENZIONE, eventualmente abbinata a un simbolo, indica situazioni o condizioni che possono provocare danni materiali e/o ambientali.



Questo simbolo indica pericoli causabili da scosse elettriche.



Questo simbolo indica punti di pericolo o situazioni pericolose.



Questo simbolo indica pericoli dovuti a superfici calde.



Questo simbolo indica pericoli dovuti a fonti di luce intense.



Questo simbolo indica un dispositivo che non contiene parti sostituibili dall'utente.



Questo simbolo indica informazioni complementari sull'utilizzo del prodotto.

INDICAZIONI SULLA SICUREZZA



PERICOLO:

1. Non aprire né modificare il dispositivo.
2. Qualora il dispositivo non funzioni più correttamente, si sia verificata una penetrazione di liquidi od oggetti o sia stato danneggiato in altro modo, spegnerlo immediatamente e scolgarlo dall'alimentazione elettrica. La riparazione del dispositivo deve essere affidata esclusivamente a personale qualificato autorizzato.
3. In caso di dispositivi con classe di protezione 1, il conduttore di protezione deve essere collegato correttamente. Non disattivare mai il conduttore di protezione. I dispositivi con classe di protezione 2 non hanno un conduttore di protezione.
4. Assicurarsi che i cavi sotto tensione non siano piegati o danneggiati meccanicamente in altro modo.
5. Non bypassare mai il fusibile del dispositivo.



AVVERTENZA:

1. Il dispositivo non deve essere messo in funzione se presenta danni evidenti.
2. Il dispositivo deve essere installato solo in assenza di tensione.
3. Il dispositivo non deve essere messo in funzione se il cavo di alimentazione è danneggiato.
4. I cavi di alimentazione collegati in modo permanente devono essere sostituiti solo da personale qualificato.



ATTENZIONE:

1. Non mettere in funzione il dispositivo se sottoposto a forti sbalzi di temperatura (ad esempio dopo il trasporto). Umidità e condensa potrebbero danneggiare il dispositivo. Accendere il dispositivo solo quando ha raggiunto la temperatura ambiente.
2. Verificare che la tensione e la frequenza della rete elettrica corrispondano ai valori indicati sul dispositivo. Se il dispositivo è dotato di un selettore di tensione, non collegarlo finché questo non sarà stato impostato correttamente. Utilizzare esclusivamente cavi di alimentazione adatti.
3. Per scollegare tutti i poli del dispositivo dalla rete elettrica non è sufficiente premere l'interruttore ON/OFF del dispositivo.
4. Assicurarsi che il fusibile utilizzato corrisponda al tipo stampato sul dispositivo.
5. Accertarsi che siano state adottate misure adeguate contro le sovratensioni (ad es. fulmini).
6. Rispettare la corrente di uscita massima indicata sui dispositivi con collegamento Power Out. La corrente assorbita complessivamente da tutti i dispositivi collegati non deve superare il valore indicato.
7. Sostituire i cavi di alimentazione ad innesto esclusivamente con cavi originali.



PERICOLO:

1. Pericolo di soffocamento! I sacchetti di plastica e componenti minuti devono essere tenuti fuori dalla portata delle persone (inclusi i bambini) con capacità fisiche, sensoriali o mentali limitate.
2. Pericolo di caduta! Verificare che il dispositivo sia installato in modo stabile e non possa cadere. Utilizzare esclusivamente stativi e dispositivi di fissaggio adatti (in particolare in caso di impianti fissi). Assicurarsi che gli accessori siano installati e fissati correttamente. Assicurarsi che siano rispettate le norme di sicurezza in vigore.



AVVERTENZA:

1. Utilizzare il dispositivo unicamente nelle modalità previste.
2. Azionare il dispositivo esclusivamente con gli accessori consigliati e previsti dal produttore.
3. Durante l'installazione osservare le normative sulla sicurezza in vigore nel proprio Paese.
4. Una volta collegato il dispositivo verificare tutti i cavi per evitare danni o incidenti, ad esempio per inciampo.
5. È essenziale rispettare la distanza minima indicata per i materiali normalmente infiammabili! Salvo diversa ed esplicita indicazione la distanza minima è di 0,3 m.

**PRUDENZA:**

1. In caso di componenti mobili, come le staffe di montaggio, sussiste il rischio di schiacciamento.
2. Nei dispositivi con componenti azionati a motore sussiste il pericolo di lesioni a causa del movimento del dispositivo. Movimenti improvvisi del dispositivo possono causare reazioni impreviste.



3. Durante il normale funzionamento, la superficie dell'alloggiamento del dispositivo può raggiungere temperature molto elevate. Assicurarsi che non avvenga alcun contatto accidentale con l'alloggiamento. Far raffreddare sempre a sufficienza il dispositivo prima di smontarlo, eseguire lavori di manutenzione, ricaricarlo ecc.

**ATTENZIONE:**

1. Non installare né azionare il dispositivo in prossimità di radiatori, accumulatori termici, stufe o altre fonti di calore. Accertarsi che il dispositivo sia sempre installato in modo da avere un raffreddamento sufficiente ed evitare il surriscaldamento.
2. Non posizionare fonti di combustione, come candele accese, nelle vicinanze del dispositivo.
3. Le feritoie di ventilazione non devono essere coperte e le ventole non devono essere bloccate.
4. Per il trasporto utilizzare l'imballaggio originale o gli imballaggi previsti dal produttore.
5. Evitare di scuotere o urtare il dispositivo.
6. Osservare il grado di protezione IP nonché le condizioni ambientali come la temperatura e l'umidità dell'aria in base alla specifica.
7. I dispositivi possono essere soggetti a migiorie. In caso di discrepanze tra il manuale d'uso e l'etichetta del dispositivo in merito a condizioni di funzionamento, prestazioni o altre caratteristiche del dispositivo, le informazioni riportate sul dispositivo hanno sempre la priorità.
8. Il dispositivo non è adatto a climi tropicali e al funzionamento oltre i 2000 m sul livello del mare.
9. Salvo diversa indicazione esplicita l'apparecchio non è idoneo al funzionamento in condizioni marine.

**NOTA:**

Nel caso di set di conversione o retrofit o di accessori forniti dal produttore, è essenziale seguire le istruzioni allegate.

ATTENZIONE! INDICAZIONI IMPORTANTI RELATIVE AI PRODOTTI PER L'ILLUMINAZIONE!



1. Non fissare mai direttamente il fascio di luce, nemmeno per brevi istanti.
2. Non guardare mai il fascio di luce con dispositivi ottici come le lenti d'ingrandimento.



3. In alcuni casi, in persone sensibili, gli effetti stroboscopici possono causare attacchi epilettici!



4. In queste lampade sono installate sorgenti luminose fisse che non possono essere sostituite dall'utente. La sorgente luminosa contenuta in questa lampada può essere sostituita solo dal produttore o da un suo partner di assistenza o da una persona con qualifica analoga.

AVVERTENZE PER DISPOSITIVI INDUSTRIALI PORTATILI



1. Funzionamento temporaneo! Le attrezzature per eventi sono concepite esclusivamente per un uso temporaneo.
2. Il funzionamento continuo o l'installazione permanente possono compromettere il funzionamento e causare l'usura precoce del dispositivo.

FORNITURA

Estrarre il prodotto dalla confezione e rimuovere tutto il materiale di imballaggio.

Si prega di verificare la completezza e l'integrità della fornitura nonché di informare immediatamente il proprio partner commerciale dopo l'acquisto qualora la consegna non sia completa o danneggiata.

La fornitura del prodotto comprende:

- ▶ 1 testa mobile LED AZOR S2
- ▶ 2 staffe di montaggio a omega
- ▶ 1 x cavo di alimentazione
- ▶ Manuale d'uso

INTRODUZIONE**PROIETTORE IN MOVIMENTO A LED**

CLAZORS2

FUNZIONI DI CONTROLLO:

Controller DMX Basic 21 canali, Standard 24 canali, Extended 28 canali

DMX512

W-DMX™ tramite chiavetta iDMX Cameo opzionale

RDM

Funzionamento master/slave

Funzioni stand-alone

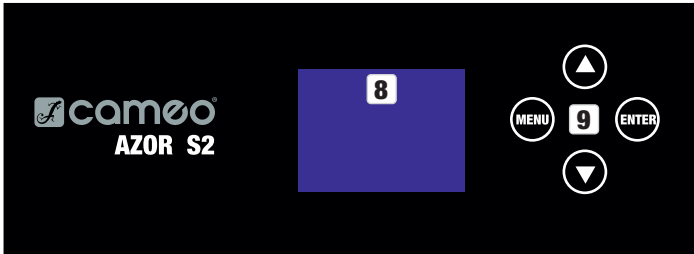
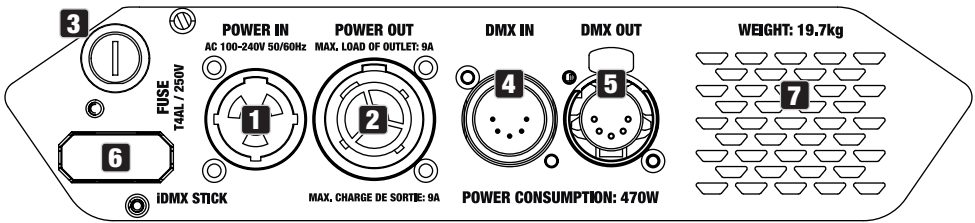
CARATTERISTICHE:

LED bianco freddo da 300 W. Mix cromatico CMY. Ruota cromatica a 8 colori e uno libero. 2 ruote gobo con 8 gobo rotanti e 11 gobo fissi e uno aperto. Funzioni Zoom, Messa a fuoco, Iris, Prisma e Frost. DMX512. Collegamento per chiavetta iDMX opzionale per il controllo senza fili tramite W-DMX™. Connettori DMX a 5 poli 2 staffe di montaggio Omega in dotazione.

Il proiettore si avvale dello standard RDM (Remote Device Management). Questo sistema di gestione remota dei dispositivi consente di verificare lo stato e configurare i terminali RDM tramite un apposito controller compatibile, come il Cameo UNICON (codice articolo CLIREMOTE), disponibile come optional.

Cameo UNICON consente inoltre di accedere all'intero menu dei proiettori.

CONNETTORI, ELEMENTI DI COMANDO E VISUALIZZAZIONE



1 POWER IN

Presa di ingresso compatibile con TRUE1. Tensione di esercizio 100 – 240 V AC / 50 - 60 Hz. Collegamento tramite cavo di alimentazione in dotazione.

2 POWER OUT

Presa di uscita compatibile con TRUE1. Serve per l'alimentazione di altri proiettori CAMEO. Assicurarsi che la corrente assorbita totale di tutti i dispositivi collegati all'apparecchio non superi il valore indicato in ampere (A).

3 FUSE

Portafusibili per 5 fusibili da 20 mm. **NOTA IMPORTANTE:** Sostituire il fusibile solo con un altro dello stesso tipo e con gli stessi valori. Se il fusibile salta ripetutamente rivolgersi a un centro di assistenza autorizzato.

4 DMX IN

Connettore XLR maschio a 5 poli per il collegamento di un dispositivo di controllo DMX (ad es. mixer DMX).

5 DMX OUT

Connettore XLR femmina a 5 poli per il reindirizzamento del segnale di controllo del DMX.

6 STICK IDMX

Collegamento per la chiavetta iDMX opzionale per il collegamento W-DMX™ (inserire la chiavetta iDMX con l'antenna rivolta verso l'alto). Osservare le impostazioni alla voce **Wireless** nel menu Settings (Impostazioni).

7 APERTURE DI VENTILAZIONE

Per evitare danni al dispositivo, non coprire le aperture di ventilazione sul retro e far circolare l'aria senza ostacoli.

8 DISPLAY OLED

Il display OLED mostra la modalità di funzionamento attualmente attivata (schermata principale), le voci del menu e il valore numerico o lo stato di funzionamento in alcune voci di menu. Se, entro un minuto circa, non avviene alcuna immissione il display passa automaticamente alla schermata principale. Nota sulla schermata principale delle modalità di funzionamento con comando esterno: Non appena il segnale di comando si interrompe, i caratteri sul display iniziano a lampeggiare; quando il segnale si ripristina, smettono di lampeggiare.

9 TASTI DI COMANDO

MENU – Premendo MENU si accede al menu principale. Premendo ripetutamente questo tasto viene visualizzata nuovamente la schermata principale. Premendo MENU, senza confermare con ENTER la modifica di un valore o dello stato, verrà ripristinato il valore o lo stato confermato in precedenza.

ENTER – Premendo ENTER si accede al livello di menu in cui è possibile apportare le modifiche dei valori e accedere ai sottomenu. Per confermare le modifiche dei valori e degli stati, premere ENTER.

▲ e ▼ – Consente di selezionare le singole voci nel menu principale (indirizzo DMX, modalità DMX ecc.) e nei sottomenu. Consentono di modificare a piacere il valore di una voce di menu, come, ad esempio, l'indirizzo DMX (pressione prolungata = cambio rapido del valore).

10 MANIGLIE INCASSATE

Oltre alle due maniglie di trasporto sulla base dell'apparecchio, nella parte superiore dei lati interni dei due bracci sono presenti delle pratiche maniglie incassate.



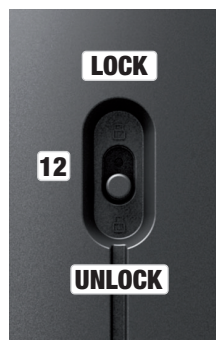
11 PAN LOCK

Dispositivo di blocco meccanico che evita che durante il trasporto la testa giri in senso orizzontale. Scollegare il dispositivo dalla rete elettrica, portare la testa in posizione parallela alla base (8 posizioni possibili) e, per bloccare, premere la leva di arresto verso il basso e poi nel senso dell'asse di rotazione (LOCK). Rimuovere il blocco prima di mettere in funzione il dispositivo (UNLOCK).



12 TILT LOCK

Dispositivo di blocco meccanico che evita che durante il trasporto la testa giri in senso verticale (7 posizioni possibili). Scollegare il dispositivo dalla rete elettrica e per bloccare fare scorrere la leva di arresto nel senso dell'asse di rotazione. Muovere la testa del dispositivo in verticale finché non viene trovata una delle 7 posizioni di arresto e la leva si innesta (LOCK). Rimuovere il blocco prima di mettere in funzione il dispositivo (UNLOCK).



- Figure simili -

UTILIZZO

NOTE

Durante il processo di avvio del proiettore, sul display vengono visualizzati brevemente i messaggi "Update Wait" e "Welcome to Cameo", la denominazione del modello e la versione del software. Successivamente i motori vengono resettati (Motor Reset Please Wait). Al termine della procedura il proiettore è pronto e viene avviata la modalità di funzionamento precedentemente attivata.

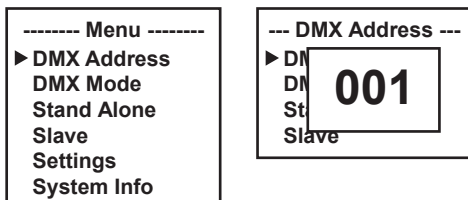
SCHERMATA PRINCIPALE DISPLAY IN MODALITÀ DMX

La visualizzazione principale nella modalità di funzionamento DMX indica l'indirizzo di avvio DMX corrente (vedi figura). Se sul proiettore non è presente alcun segnale DMX, i simboli sul display lampeggiano.



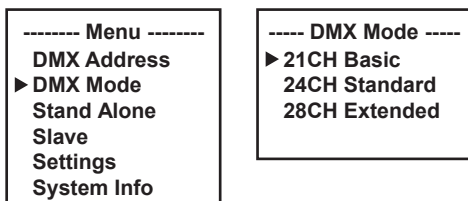
IMPOSTAZIONE DELL'INDIRIZZO DMX DI AVVIO (DMX Address)

Premere MENU dalla schermata principale per accedere al menu principale. Usare i tasti ▲ e ▼ per selezionare la voce di menu **DMX Address** e confermare con ENTER. Impostare l'indirizzo di avvio DMX desiderato con i tasti ▲ o ▼ e confermare con ENTER (il valore massimo dipende dalla modalità di funzionamento DMX attualmente impostata).



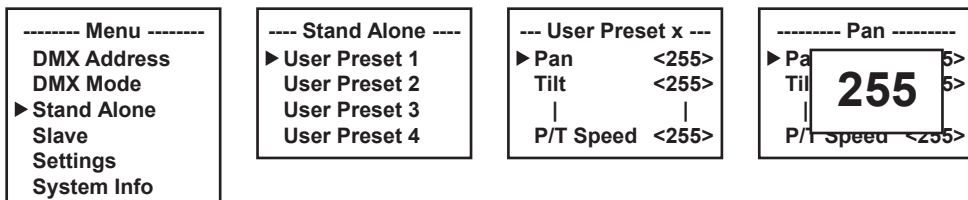
IMPOSTAZIONE DELLA MODALITÀ DI FUNZIONAMENTO DMX (DMX Mode)

Premere MENU dalla schermata principale per accedere al menu principale. Usare i tasti ▲ e ▼ per selezionare la voce di menu **DMX Mode** e confermare con ENTER. Con i tasti ▲ e ▼ selezionare nuovamente la modalità di funzionamento DMX desiderata e confermare con ENTER. Le tabelle con l'assegnazione dei canali delle diverse modalità di funzionamento DMX sono riportate nel presente manuale, alla sezione CONTROLLER DMX.



MODALITÀ DI FUNZIONAMENTO STAND-ALONE (Stand Alone)

Nella modalità stand-alone sono disponibili quattro scene personalizzabili. Premere MENU dalla schermata principale per accedere al menu principale. Con i tasti ▲ e ▼ selezionare ora la voce di menu **Stand Alone** e confermare con ENTER. Con i tasti ▲ e ▼ selezionare il preset desiderato e confermare con ENTER.



Selezionare la voce di sottomenu desiderata, confermare, impostare il valore desiderato e confermare nuovamente.

Preset utente X	Tilt	000	-	255	0% -> 100%
	Pan	000	-	255	0% -> 100%
	Dimmer	000	-	255	Master dimmer 0% -> 100%
	Strobe	000	-	255	Multifunctional Strobe
	Cyan	000	-	255	CMY
	Magenta	000	-	255	
	Yellow	000	-	255	
	Colour	000	-	255	Ruota colori
	Gobo 1	000	-	255	Gobo Wheel 1
	Gobo 1 Rot.	000	-	255	Gobo 1 Rotation
	Gobo 2	000	-	255	Gobo Wheel 2
	Zoom	000	-	255	Narrow -> wide
	Focus	000	-	255	0% -> 100%
	Iris	000	-	255	0% -> 100%
	PrismSelect	000	-	255	Selezione del prisma
	Prisma 1	000	-	255	Prisma 1 posizione / rotazione
	Prisma 2	000	-	255	Prisma 2 posizione / rotazione
	Frost	000	-	255	0% -> 100%
	P/T Macro:	000	-	255	Pan / Tilt Macro
P/T Speed:	000	-	255	Pan / Tilt Macro speed	

MODALITÀ SLAVE

Premere MENU dalla schermata principale per accedere al menu principale. Usare i tasti ▲ e ▼ per selezionare la voce di menu **Slave** e confermare con ENTER. Collegare l'unità slave e master (stesso modello, stessa versione software) utilizzando un cavo DMX; sull'unità master attivare una modalità di funzionamento stand-alone. Ora l'unità slave segue esattamente l'unità master. In alternativa, il segnale di controllo può essere trasmesso tramite W-DMX (chiavetta iDMX disponibile come optional).

----- Menu -----
DMX Address
DMX Mode
Stand Alone
▶ Slave
Settings
System Info



IMPOSTAZIONI DI SISTEMA (Settings)

Premere MENU dalla schermata principale per accedere al menu principale. Con i tasti ▲ e ▼ selezionare ora la voce di menu **Settings** e confermare con ENTER.

----- Menu -----
DMX Address
DMX Mode
Stand Alone
Slave
▶ Settings
System Info

----- Settings -----
▶ Wireless
Display
Service

Si accede quindi al sottomenu per l'impostazione delle voci di sottomenu (v. tabella, selezionare con ▲ e ▼, confermare con ENTER, modificare lo stato / valore con ▲ e ▼, confermare con ENTER).

Settings (impostazione di fabbrica)				
Wireless	Impostazioni wireless (chiavetta iDMX opzionale)	Stato iDMX	Off	Controllo wireless disattivato
			On	Controllo wireless attivato
		Segnale di routing	To XLR	Segnale -> DMX OUT
			Backup by XLR	Backup tramite DMX IN con interruzione del segnale W-DMX
	Receive only	Solo ricezione W-DMX		
Display	Impostazioni del display	Display Reverse	Off	Nessuna rotazione del display
			On	Rotazione del display di 180° (ad es. per montaggio sopra testa)
		Display Off Timer	Always On	Sempre acceso
			Off dopo 20 s	Disattivazione dopo circa 20 secondi di inattività
		Autolock	Off	Funzione di autobloccaggio disattivata
			On	Elementi di comando bloccati dopo ca. 30 secondi senza input (LOCKED). Sblocco: Premere MENU per ca. 3 secondi.

Dimmer	Impostazioni - dimmer	Dimmer Curve	Linear	L'intensità della luce cresce in maniera lineare con il valore DMX
			Exponential	L'intensità della luce può essere impostata in maniera più precisa nell'intervallo di valori DMX inferiore e approssimativamente in quello superiore
			Logarithmic	L'intensità della luce può essere impostata approssimativamente nell'intervallo di valori DMX inferiore e in maniera più precisa in quello superiore
			S-Curve	L'intensità della luce può essere impostata in maniera più precisa negli intervalli di valori DMX inferiore e superiore e grossolanamente nell'intervallo di valori DMX intermedio
	Dimmer Response	Dimmer Response	LED	Il proiettore reagisce in maniera repentina alle modifiche del valore DMX
			Halogen	Il proiettore si comporta in maniera analoga a un proiettore alogeno con variazioni di luminosità gradualmente
	PWM Frequency = frequenza LED PWM	Frequenza PWM	650Hz, 1530Hz, 3600Hz, 12kHz, 18,9kHz, 25kHz	Selezione della frequenza LED PWM
Movement	Regolazione dei movimenti della testa	Pan Reverse	Off	Nessuna inversione della direzione di giro orizzontale
			On	Inversione della direzione di giro orizzontale
		Tilt Reverse	Off	Nessuna inversione della direzione di giro verticale
			On	Inversione della direzione di giro verticale
		Pan Angle	540°	Angolo del giro orizzontale (pan) 540°
			630°	Angolo del giro orizzontale (pan) 630°
		Feedback posizione	Off	Correzione della posizione automatica disattivata
			On	Correzione della posizione automatica attivata
		Move In Black	Off	Nessun blackout con movimento della testa
			On	Blackout con movimento della testa
Silent Movement	Off	Funzione disattivata		
	On	Movimento del motore più lento per un funzionamento più silenzioso		

Wheels	Regolazione delle ruote gobo e della ruota cromatica	Gobo Wheel	Voce	Clockwise	La ruota gobo gira sempre in senso orario
				Shortest way	La ruota gobo gira seguendo il percorso più breve
			Movement	Snap	Quando si raggiunge il valore corrispondente la ruota gobo passa direttamente al gobo desiderato
				Scroll	Rotazione continua delle ruote gobo
		Ruota colori	Voce	Clockwise	La ruota cromatica gira sempre in senso orario
				Shortest way	La ruota cromatica gira seguendo il percorso più breve
			Movement	Snap	Quando si raggiunge il valore corrispondente la ruota colori passa direttamente al filtro colore desiderato
				Scroll	Rotazione continua delle ruote colori
		Move In Black	Off	Nessun blackout in caso di modifiche dei valori delle ruote gobo e cromatica	
				On	Blackout in caso di modifiche dei valori delle ruote gobo e cromatica
Fan Set	Impostazioni della ventola	Auto	Controllo automatico della ventola		
		Fan Off	Ventola disattivata con luminosità fortemente ridotta		
		Constant Low	Velocità di ventilazione costantemente bassa con luminosità ridotta, se necessario		
		Constant Mid	Velocità di ventilazione costante media con luminosità ridotta, se necessario		
		Constant High	Velocità di ventilazione elevata costante		
Signal Fail	Stato operativo con interruzione del segnale DMX	Hold	Mantiene l'ultimo comando		
		Blackout	Attiva il blackout		
		Fade Out 10s	Fade in blackout di 10 secondi		
		User Preset 1	Attivazione User Preset 1		

Service	Impostazioni di ripristino	Store Default	User Default A	Salvare le impostazioni utente A
			User Default B	Salvare le impostazioni utente B
			User Default C	Salvare le impostazioni utente C
		Load Default	Factory Default	Ripristino delle impostazioni di fabbrica: Effettuare il reset con ENTER, annullare con MENU
			User Default A	Reset su User A: Effettuare il reset con ENTER, annullare con MENU
			User Default B	Reset su User B: Effettuare il reset con ENTER, annullare con MENU
			User Default C	Reset su User C: Effettuare il reset con ENTER, annullare con MENU
		Reset	Pan/Tilt	Resettare motori pan e tilt
			Head	Resettare tutti i motori nella testa dei fari
	All functions		Reset di tutti i motori	
	Password	Solo per l'assistenza tecnica		

INFORMAZIONI DI SISTEMA (System Info)

Premere MODE dalla schermata principale per accedere al menu principale. Con i tasti ▲ e ▼ selezionare ora la voce di menu **System Info** e confermare con ENTER.

----- Menu -----
DMX Address
DMX Mode
Stand Alone
Slave
Settings
▶ System Info

---- System Info ----
▶ Firmware
Sensor
Operation Hours
Errors

Si accede al sottomenu per richiamare le informazioni sistema (v. tabella, selezionare con ▲ e ▼, confermare con ENTER, modificare lo stato con ▲ e ▼, confermare con ENTER).

Info		
Firmware	1U	V1.x.x
	2U	V1.x.x
	3U:	V1.x.x
	4U	V1.x.x
	5U	V1.x.x
	6U	V1.x.x

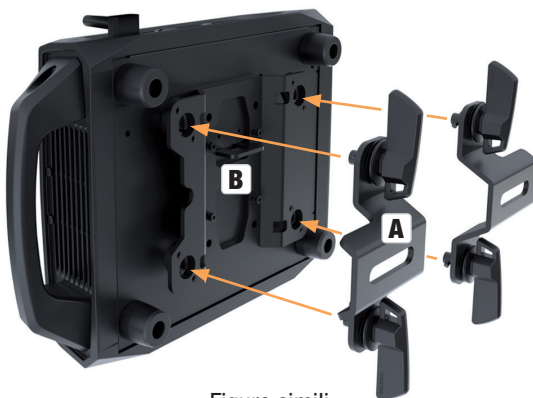
Sensore	Temperature	LED	xx°C / xx°F
		Base	xx°C / xx°F
	Temperature Unit	°C	Gradi Celsius
		°F	gradi Fahrenheit
	Velocità ventola	LED	Giri ventola LED xxxxRPM
		Motore	Giri ventola motori xxxxRPM
Base		Giri ventola base dispositivo xxxxRPM	
Operation Hours	Operation Time	xx:xxh	Tempo totale di funzionamento
	Tempo LED	xx:xxh	Tempo di funzionamento dell'unità LED
Errori	Segnalazione in caso di errore		

INSTALLAZIONE E MONTAGGIO



PERICOLO: il montaggio sopratesta richiede una vasta esperienza, incluso il calcolo dei valori limite del carico di lavoro, il materiale di installazione utilizzato e la verifica periodica della sicurezza di tutti i materiali di installazione e dei proiettori. Se non si dispone di queste qualifiche, non tentare di effettuare da soli l'installazione, ma ricorrere all'ausilio di aziende professionali. Sussiste il rischio che dispositivi non montati né fissati correttamente si allentino e cadano. Ciò può causare lesioni gravi o mortali alle persone.

Grazie ai piedini in gomma integrati, il proiettore può essere collocato in un punto adatto su una superficie piana. Il montaggio a una traversa viene effettuato tramite due staffe a omega, fissate alla base del dispositivo (A). Due staffe a omega sono fornite in dotazione; appositi morsetti per traverse sono disponibili come optional. Collegare saldamente il tutto e fissare il proiettore con un cavo di sicurezza idoneo nella posizione prevista (B).



- Figure simili -

PULIZIA, MANUTENZIONE E RIPARAZIONE

Per garantire il buon funzionamento del dispositivo nel tempo, è necessario sottoporlo a una pulizia regolare e, se necessario, a manutenzione. La necessità di pulizia e manutenzione dipende dall'intensità e dall'ambiente di utilizzo.

In generale si consiglia di effettuare un'ispezione visiva prima di ogni messa in servizio. Si consiglia inoltre di eseguire tutti gli interventi di pulizia applicabili menzionati di seguito ogni 500 ore di funzionamento o, in caso di minore intensità di utilizzo, al più tardi dopo un anno. In caso di vizi riconducibili a inadeguata pulizia, i diritti di garanzia possono essere limitati.

PULIZIA (eseguibile dall'utente)



AVVERTENZA! Prima di qualsiasi intervento di pulizia scollegare l'alimentazione elettrica e, se possibile, tutti i collegamenti del dispositivo.



NOTA! Una pulizia inadeguata può danneggiare il dispositivo, causando anche danni potenzialmente irreparabili.

1. Le superfici dell'alloggiamento devono essere pulite con un panno umido e pulito. Assicurarsi che l'umidità non penetri all'interno del dispositivo.
2. Le aperture di ingresso e uscita dell'aria devono essere pulite regolarmente, rimuovendo polvere e sporcizia. In caso di utilizzo di aria compressa, prestare attenzione a non danneggiare il dispositivo (ad es. le ventole devono essere bloccate in questo caso, altrimenti potrebbero ruotare eccessivamente).
3. I cavi e i contatti a spina devono essere puliti regolarmente, rimuovendo polvere e sporcizia.
4. In generale, per la pulizia non devono essere utilizzati detersivi o sostanze con effetto abrasivo; in caso contrario, la qualità della superficie potrebbe essere compromessa.
5. In generale, i dispositivi devono essere conservati in un luogo asciutto e protetti da polvere e sporcizia.

MANUTENZIONE E RIPARAZIONE (solo da parte di personale specializzato)



PERICOLO! Il dispositivo contiene componenti sotto tensione. L'unità può rimanere sotto tensione residua anche dopo la disconnessione dalla rete elettrica, ad es. a causa di condensatori carichi.



NOTA! Il dispositivo non contiene componenti riparabili dall'utente.



NOTA! Gli interventi di manutenzione e riparazione devono essere eseguiti esclusivamente da personale tecnico autorizzato dal produttore. In caso di dubbi rivolgersi al produttore.



NOTA! Gli interventi di manutenzione non eseguiti correttamente possono invalidare la garanzia.

DIMENSIONI (mm)

ENGLISH

DEUTSCH

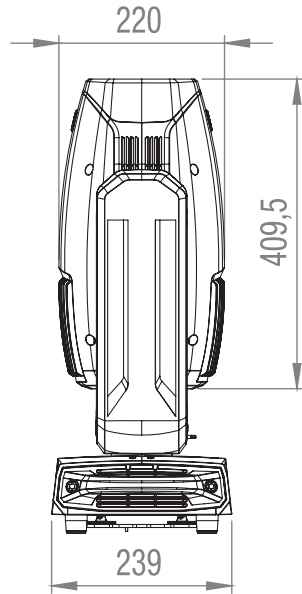
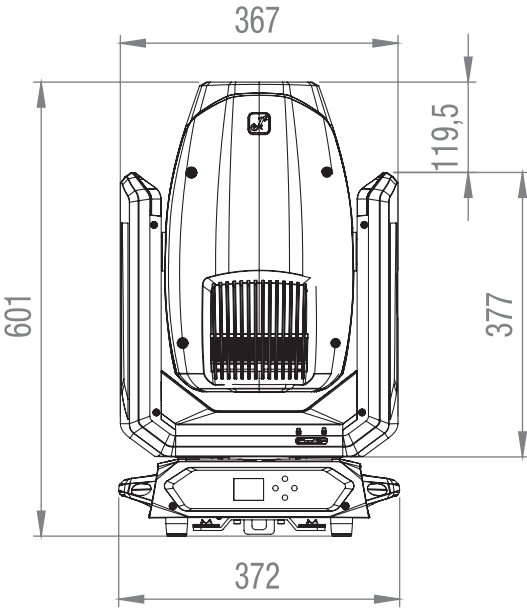
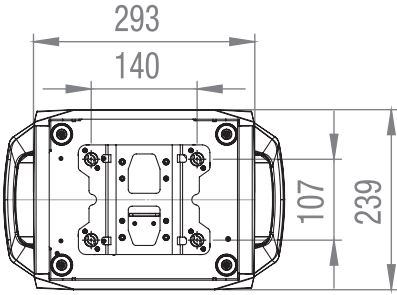
FRANCAIS

ESPAÑOL

POLSKI

ITALIANO

DMX



DATI TECNICI

CODICE ARTICOLO:	CLAZORS2
Tipologia prodotto:	Testa mobile LED
Tipo:	Spot
Spettro cromatico LED:	Bianco freddo 6800 K
Numero di LED:	1
Tipo di LED:	300W
Angolo di proiezione (angolo di diffusione parziale):	5° - 50°
Sistema di miscelazione dei colori:	CMY
Numero di colori:	8 + libero e posizionamento continuo della ruota colori
Numero di gobo:	11 fissi + 8 rotanti e indicizzabili + libero
Frequenza PWM:	650 Hz, 1530 Hz, 3600 Hz, 12 kHz, 18,9 kHz, 25 kHz
Ingresso DMX:	XLR maschio a 5 poli
Uscita DMX:	XLR femmina a 5 poli
Modalità DMX:	21-CH Basic, 24-CH Standard, 28-CH Extended
Funzioni DMX:	Pan/Tilt, Pan/Tilt fine, dimmer, dimmer fine, stroboscopio, ciano, magenta, giallo, ruota cromatica, ruota gobo 1, rotazione ruota gobo 1, rotazione ruota gobo 1 fine, ruota gobo 2, zoom, zoom fine, messa a fuoco, messa a fuoco fine, Iris, selezione prisma, prisma 1, prisma 2, Frost, impostazioni dispositivo
Funzioni stand-alone:	User Preset 1-4, funzionamento master/slave
Comando:	DMX512, RDM, compatibile con chiavetta iDMX
Angolo del giro orizzontale (Pan):	540° / 630°
Angolo del giro verticale (Tilt):	270°
Elementi di comando:	MENU, ENTER, freccia su, freccia giù
Elementi di visualizzazione:	Display OLED
Tensione di esercizio:	100 - 240 V AC / 50 - 60 Hz
Potenza assorbita:	470 W
Flusso luminoso:	11000 lm
Collegamento alimentazione elettrica:	Ingresso e uscita True1 compatibili (corrente di uscita max 12 A)
Fusibile:	T4AL 250V (5 x 20 mm)

ENGLISH

DEUTSCH

FRANCAIS

ESPAÑOL

POLSKI

ITALIANO

DMX

CODICE ARTICOLO: CLAZORS2

Temperatura ambiente (in esercizio): 0°C – 40°C

Umidità relativa dell'aria: < 85%, senza condensa

Distanza minima dalla superficie illuminata: 3 m

Distanza minima da materiali normalmente infiammabili: 0,5 m

Materiale alloggiamento: Metallo, ABS

Colore cassa: Nero

Classe di protezione IP20

Raffreddamento alloggiamento: Ventole termoregolate

Ingombro (L x H x P, senza staffe di montaggio): 372 x 601 x 239 mm

Peso: 19,7 kg

Altre caratteristiche: Cavo di alimentazione da 1 m con spina compatibile True1 e 2 staffe di montaggio a omega in dotazione

ENGLISH

DEUTSCH

FRANCAIS

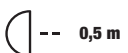
ESPAÑOL

POLSKI

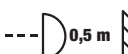
ITALIANO

DMX

DISTANZA MINIMA DALLA SUPERFICIE ILLUMINATA

 Questo simbolo, con la distanza in metri (m), indica la distanza minima tra il corpo della lampada e la superficie illuminata. In questo esempio la distanza è pari a 0,5 m. Per il valore applicabile per questo apparecchio, consultare le specifiche tecniche riportate nel presente manuale e la stampa sull'alloggiamento dell'apparecchio!

DISTANZA MINIMA DAI MATERIALI NORMALMENTE INFIAMMABILI

 Questo simbolo con la distanza in metri (m) indica la distanza minima tra il dispositivo e i materiali normalmente infiammabili. In questo esempio la distanza è pari a 0,5 m. Per il valore applicabile per questo apparecchio, consultare le specifiche tecniche riportate nel presente manuale!

SMALTIMENTO



Imballaggio:

1. Gli imballaggi possono essere riciclati tramite i consueti canali di smaltimento.
2. Separare l'imballaggio in conformità con le leggi sullo smaltimento e i regolamenti sui materiali riciclabili del proprio Paese.



Dispositivo:

1. Questo dispositivo è soggetto alla Direttiva europea sui rifiuti di apparecchiature elettriche ed elettroniche e successive modifiche. Direttiva RAEE sui rifiuti di apparecchiature elettriche ed elettroniche. I dispositivi usati non devono essere smaltiti con i rifiuti domestici. Il dispositivo usato deve essere smaltito tramite un'azienda di smaltimento autorizzata o presso un centro di smaltimento comunale. Rispettare le normative in vigore nel Paese di installazione.
2. Rispettare le leggi e i regolamenti sullo smaltimento in vigore nel Paese di installazione.
3. I clienti privati possono richiedere informazioni sulle possibilità di smaltimento ecosostenibile al rivenditore presso il quale è stato acquistato il prodotto o presso le autorità regionali competenti.

DICHIARAZIONI DEL PRODUTTORE

GARANZIA DEL PRODUTTORE E LIMITAZIONE DI RESPONSABILITÀ

Adam Hall GmbH, Adam-Hall-Str. 1, D-61267 Neu Anspach / E-mail Info@adamhall.com / +49 (0)6081 / 9419-0.

Le nostre attuali condizioni di garanzia e la limitazione di responsabilità sono consultabili alla pagina:

https://cdn-shop.adamhall.com/media/pdf/Manufacturers-Declarations-CAMEO_DE_EN_ES_FR.pdf.

Per assistenza, rivolgersi al proprio distributore di fiducia.

CONFORMITÀ CE

Con la presente Adam Hall GmbH dichiara che questo prodotto soddisfa le seguenti direttive (ove pertinente):

Direttiva bassa tensione (2014/35/UE)

Direttiva CEM (2014/30/UE)

RoHS (2011/65/UE)

RED (2014/53/UE)

DICHIARAZIONE DI CONFORMITÀ UE

Le dichiarazioni di conformità per i prodotti soggetti alla direttiva LVD, EMC e RoHS possono essere richieste all'indirizzo info@adamhall.com.

Le dichiarazioni di conformità per i prodotti soggetti alla direttiva RED possono essere scaricate da www.adamhall.com/compliance/.

CON RISERVA DI ERRORI DI STAMPA E REFUSI NONCHÉ DI MODIFICHE TECNICHE O DI ALTRO TIPO.

**DMX CONTROL / DMX STEUERUNG / PILOTAGE DMX / CONTROL DMX /
STEROWANIE DMX / CONTROLLO DMX**

21-CH Basic	24-CH Standard	28-CH Extended	Function	Values			Sub-Group	
1	1	1	Pan	000	-	255	0% to 100%	Pan
2	2	2	Pan fine	000	-	255	0% to 100%	
3	3	3	Tilt	000	-	255	0% to 100%	Tilt
4	4	4	Tilt fine	000	-	255	0% to 100%	
5	5	5	Dimmer	000	-	255	0% to 100%	Dimmer
	6	6	Dimmer fine	000	-	255	0% to 100%	
6	7	7	Strobe	000	-	005	Strobe open	Multi- functional Strobe
				006	-	010	Strobe closed	
				011	-	022	Ramp up/down, slow -> fast	
				023	-	033	Ramp up/down random, slow-> fast	
				034	-	045	Ramp up, slow -> fast	
				046	-	056	Ramp up random, slow -> fast	
				057	-	068	Ramp down, slow -> fast	
				069	-	079	Ramp down random, slow -> fast	
				080	-	102	Random Strobe effect, slow -> fast	
				103	-	127	Strobe Break effect, 5s.....1s (short burst with break)	
			128	-	250	Strobe slow -> fast <1Hz – 20Hz		
			251	-	255	Strobe open		
7	8	8	Cyan	000	-	255	0% to 100%	Cyan
		9	Cyan fine	000	-	255	0% to 100%	
8	9	10	Magenta	000	-	255	0% to 100%	Magenta
		11	Magenta fine	000	-	255	0% to 100%	
9	10	12	Yellow	000	-	255	0% to 100%	Yellow
		13	Yellow fine	000	-	255	0% to 100%	
10	11	14	Colour Wheel	000	-	000	Colour off (open)	Colour Wheel
				001	-	020	Open -> Deep Red	
				021	-	021	Deep Red	
				022	-	041	Deep Red -> Medium Blue	
				042	-	042	Medium Blue	

ENGLISH

DEUTSCH

FRANCAIS

ESPAÑOL

POLSKI

ITALIANO

DMX

ENGLISH	10	11	14	Colour Wheel	043 - 062	Medium Blue -> Deep Green	Colour Wheel
					063 - 063	Deep Green	
					064 - 083	Deep Green -> Lime	
					084 - 084	Lime	
					085 - 104	Lime -> High CRI	
					105 - 105	High CRI	
					106 - 125	High CRI -> Deep Orange	
					126 - 126	Deep Orange	
					127 - 147	Deep Orange -> CTO 3200K	
					148 - 148	CTO 3200K	
					149 - 168	CTO 3200K -> Congo Blue	
					169 - 169	Congo Blue	
					170 - 189	Congo Blue -> Open	
					190 - 192	Open	
193 - 223	Colour Wheel rotation fast -> slow, fwd						
224 - 224	Colour Wheel rotation stop						
225 - 255	Colour Wheel rotation slow -> fast, bwd						
DEUTSCH	11	12	15	Gobo Wheel 1	000 - 005	Open	Gobo
					006 - 021	Open -> Gobo1	
					022 - 022	Gobo 1	
					023 - 038	Gobo 1 -> Gobo 2	
					039 - 039	Gobo 2	
					040 - 055	Gobo 2 -> Gobo 3	
					056 - 056	Gobo 3	
					057 - 072	Gobo 3 -> Gobo 4	
					073 - 073	Gobo 4	
					074 - 089	Gobo 4 -> Gobo 5	
					090 - 090	Gobo 5	
					091 - 106	Gobo 5 -> Gobo 6	
					107 - 107	Gobo 6	
					108 - 123	Gobo 6 -> Gobo 7	
					124 - 124	Gobo 7	
					125 - 140	Gobo 7 -> Gobo 8	
					141 - 141	Gobo 8	
					142 - 157	Gobo 8 -> Open	
					158 - 159	Open	
160 - 162	Gobo Shake 1 (slow -> fast)						
163 - 165	Gobo Shake 2 (slow -> fast)						
166 - 168	Gobo Shake 3 (slow -> fast)						
169 - 171	Gobo Shake 4 (slow -> fast)						
FRANCAIS	11	12	15	Gobo Wheel 1	000 - 005	Open	Gobo
					006 - 021	Open -> Gobo1	
					022 - 022	Gobo 1	
					023 - 038	Gobo 1 -> Gobo 2	
					039 - 039	Gobo 2	
					040 - 055	Gobo 2 -> Gobo 3	
					056 - 056	Gobo 3	
					057 - 072	Gobo 3 -> Gobo 4	
					073 - 073	Gobo 4	
					074 - 089	Gobo 4 -> Gobo 5	
					090 - 090	Gobo 5	
					091 - 106	Gobo 5 -> Gobo 6	
					107 - 107	Gobo 6	
					108 - 123	Gobo 6 -> Gobo 7	
					124 - 124	Gobo 7	
					125 - 140	Gobo 7 -> Gobo 8	
					141 - 141	Gobo 8	
					142 - 157	Gobo 8 -> Open	
					158 - 159	Open	
160 - 162	Gobo Shake 1 (slow -> fast)						
163 - 165	Gobo Shake 2 (slow -> fast)						
166 - 168	Gobo Shake 3 (slow -> fast)						
169 - 171	Gobo Shake 4 (slow -> fast)						
ESPAÑOL	11	12	15	Gobo Wheel 1	000 - 005	Open	Gobo
					006 - 021	Open -> Gobo1	
					022 - 022	Gobo 1	
					023 - 038	Gobo 1 -> Gobo 2	
					039 - 039	Gobo 2	
					040 - 055	Gobo 2 -> Gobo 3	
					056 - 056	Gobo 3	
					057 - 072	Gobo 3 -> Gobo 4	
					073 - 073	Gobo 4	
					074 - 089	Gobo 4 -> Gobo 5	
					090 - 090	Gobo 5	
					091 - 106	Gobo 5 -> Gobo 6	
					107 - 107	Gobo 6	
					108 - 123	Gobo 6 -> Gobo 7	
					124 - 124	Gobo 7	
					125 - 140	Gobo 7 -> Gobo 8	
					141 - 141	Gobo 8	
					142 - 157	Gobo 8 -> Open	
					158 - 159	Open	
160 - 162	Gobo Shake 1 (slow -> fast)						
163 - 165	Gobo Shake 2 (slow -> fast)						
166 - 168	Gobo Shake 3 (slow -> fast)						
169 - 171	Gobo Shake 4 (slow -> fast)						
POLSKI	11	12	15	Gobo Wheel 1	000 - 005	Open	Gobo
					006 - 021	Open -> Gobo1	
					022 - 022	Gobo 1	
					023 - 038	Gobo 1 -> Gobo 2	
					039 - 039	Gobo 2	
					040 - 055	Gobo 2 -> Gobo 3	
					056 - 056	Gobo 3	
					057 - 072	Gobo 3 -> Gobo 4	
					073 - 073	Gobo 4	
					074 - 089	Gobo 4 -> Gobo 5	
					090 - 090	Gobo 5	
					091 - 106	Gobo 5 -> Gobo 6	
					107 - 107	Gobo 6	
					108 - 123	Gobo 6 -> Gobo 7	
					124 - 124	Gobo 7	
					125 - 140	Gobo 7 -> Gobo 8	
					141 - 141	Gobo 8	
					142 - 157	Gobo 8 -> Open	
					158 - 159	Open	
160 - 162	Gobo Shake 1 (slow -> fast)						
163 - 165	Gobo Shake 2 (slow -> fast)						
166 - 168	Gobo Shake 3 (slow -> fast)						
169 - 171	Gobo Shake 4 (slow -> fast)						
ITALIANO	11	12	15	Gobo Wheel 1	000 - 005	Open	Gobo
					006 - 021	Open -> Gobo1	
					022 - 022	Gobo 1	
					023 - 038	Gobo 1 -> Gobo 2	
					039 - 039	Gobo 2	
					040 - 055	Gobo 2 -> Gobo 3	
					056 - 056	Gobo 3	
					057 - 072	Gobo 3 -> Gobo 4	
					073 - 073	Gobo 4	
					074 - 089	Gobo 4 -> Gobo 5	
					090 - 090	Gobo 5	
					091 - 106	Gobo 5 -> Gobo 6	
					107 - 107	Gobo 6	
					108 - 123	Gobo 6 -> Gobo 7	
					124 - 124	Gobo 7	
					125 - 140	Gobo 7 -> Gobo 8	
					141 - 141	Gobo 8	
					142 - 157	Gobo 8 -> Open	
					158 - 159	Open	
160 - 162	Gobo Shake 1 (slow -> fast)						
163 - 165	Gobo Shake 2 (slow -> fast)						
166 - 168	Gobo Shake 3 (slow -> fast)						
169 - 171	Gobo Shake 4 (slow -> fast)						
DMX	11	12	15	Gobo Wheel 1	000 - 005	Open	Gobo
					006 - 021	Open -> Gobo1	
					022 - 022	Gobo 1	
					023 - 038	Gobo 1 -> Gobo 2	
					039 - 039	Gobo 2	
					040 - 055	Gobo 2 -> Gobo 3	
					056 - 056	Gobo 3	
					057 - 072	Gobo 3 -> Gobo 4	
					073 - 073	Gobo 4	
					074 - 089	Gobo 4 -> Gobo 5	
					090 - 090	Gobo 5	
					091 - 106	Gobo 5 -> Gobo 6	
					107 - 107	Gobo 6	
					108 - 123	Gobo 6 -> Gobo 7	
					124 - 124	Gobo 7	
					125 - 140	Gobo 7 -> Gobo 8	
					141 - 141	Gobo 8	
					142 - 157	Gobo 8 -> Open	
					158 - 159	Open	
160 - 162	Gobo Shake 1 (slow -> fast)						
163 - 165	Gobo Shake 2 (slow -> fast)						
166 - 168	Gobo Shake 3 (slow -> fast)						
169 - 171	Gobo Shake 4 (slow -> fast)						

11	12	15	Gobo Wheel 1	172 - 174	Gobo Shake 5 (slow -> fast)	Gobo
				175 - 177	Gobo Shake 6 (slow -> fast)	
				178 - 180	Gobo Shake 7 (slow -> fast)	
				181 - 183	Gobo Shake 8 (slow -> fast)	
				184 - 191	Open	
				192 - 223	Gobo Wheel rotation fast -> slow, fwd	
				224 - 224	Gobo Wheel rotation Stop	
				225 - 255	Gobo Wheel rotation slow -> fast, bwd	
12	13	16	Gobo Wheel 1 Gobo Rotation	000 - 128	Gobo position 0° ... 540°	
				129 - 191	Gobo rotation, fast -> slow, fwd	
				192 - 192	Gobo rotation stop	
				193 - 255	Gobo rotation, slow -> fast ->, bwb	
	14	17	Gobo Wheel 1 Gobo Rotation fine	000 - 255	Gobo indexing fine	
13	15	18	Gobo Wheel 2	000 - 005	Open	
				006 - 009	Open -> Gobo1	
				010 - 010	Gobo 1	
				011 - 022	Gobo 1 -> Gobo 2	
				023 - 023	Gobo 2	
				024 - 035	Gobo 2 -> Gobo 3	
				036 - 036	Gobo 3	
				037 - 048	Gobo 3 -> Gobo 4	
				049 - 049	Gobo 4	
				050 - 061	Gobo 4 -> Gobo 5	
				062 - 062	Gobo 5	
				063 - 074	Gobo 5 -> Gobo 6	
				075 - 075	Gobo 6	
				076 - 087	Gobo 6 -> Gobo 7	
				088 - 088	Gobo 7	
				089 - 100	Gobo 7 -> Gobo 8	
				101 - 101	Gobo 8	
				102 - 113	Gobo 8 -> Gobo 9	
				114 - 114	Gobo 9	
				115 - 126	Gobo 9 -> Gobo 10	
127 - 127	Gobo 10					
128 - 139	Gobo 10 -> Gobo 11					
140 - 140	Gobo 11					

ENGLISH	13	15	18	Gobo Wheel 2	141 - 152	Gobo 11 -> Open	Gobo				
					153 - 155	Open					
					156 - 158	Gobo Shake 1 (slow -> fast)					
					159 - 161	Gobo Shake 2 (slow -> fast)					
					162 - 164	Gobo Shake 3 (slow -> fast)					
					165 - 167	Gobo Shake 4 (slow -> fast)					
					168 - 170	Gobo Shake 5 (slow -> fast)					
					171 - 173	Gobo Shake 6 (slow -> fast)					
					174 - 176	Gobo Shake 7 (slow -> fast)					
					177 - 179	Gobo Shake 8 (slow -> fast)					
					180 - 182	Gobo Shake 9 (slow -> fast)					
					183 - 185	Gobo Shake 10 (slow -> fast)					
					186 - 188	Gobo Shake 11 (slow -> fast)					
					189 - 191	Open					
DEUTSCH	14	16	19	Zoom	000 - 255	Narrow to wide	Zoom				
				Zoom fine	000 - 255	Narrow to wide					
				FRANCAIS	15	17	21	Focus	000 - 255	0% to 100%	Focus
								Focus fine	000 - 255	0% to 100%	
ESPAÑOL	16	19	23	Iris	000 - 191	Open -> Close	Iris				
					192 - 200	Pulse, slow -> fast (with Dim)					
					201 - 209	Pulse, slow -> fast (without Dim)					
					210 - 218	Pulse Random, slow -> fast (without Dim)					
					219 - 227	Ramp up, slow -> fast (with Dim)					
					228 - 236	Ramp up, slow -> fast (without Dim)					
					237 - 245	Ramp down, slow -> fast (with Dim)					
					246 - 255	Ramp down, slow -> fast (without Dim)					
POLSKI	17	20	24	Prism Selection	000 - 005	Prism Off	Prism				
					006 - 091	Prism 1					
					092 - 175	Prism 2					
					176 - 255	Prism 1 & 2					
ITALIANO											
DMX											

18	21	25	Prism 1	000 - 128	Prism position 0° ... 540°	Prism
				129 - 191	Prism rotation, fast -> slow, fwd	
				192 - 192	Prism rotation Stop	
				193 - 255	Prism rotation, slow -> fast, bwd	
19	22	26	Prism 2	000 - 128	Prism position 0° ... 540°	Prism
				129 - 191	Prism rotation, fast -> slow, fwd	
				192 - 192	Prism rotation Stop	
				193 - 255	Prism rotation, slow -> fast, bwd	
20	23	27	Frost	000 - 255	0% to 100%	Frost
21	24	28	Device settings (please read remark 1*)	000 - 005	No function	Device Settings
				006 - 007	Blackout while P/T moving on (hold 3s)	
				008 - 009	Blackout while P/T moving off (hold 3s)	
				010 - 011	Blackout while wheels moving on (hold 3s)	
				012 - 013	Blackout while wheels moving off (hold 3s)	
				014 - 041	No function	
				042 - 043	Invert Pan on (hold 3s)	
				044 - 045	Invert Pan off (hold 3s)	
				046 - 047	Invert Tilt on (hold 3s)	
				048 - 049	Invert Tilt off (hold 5s)	
				050 - 051	Pan Angle 540° (hold 3s)	
				052 - 053	Pan Angle 630° (hold 3s)	
				054 - 073	No function	
				074 - 075	Dimmer Response LED (hold 3s)	
				076 - 077	Dimmer Response Halogen (hold 3s)	
				078 - 093	No function	
				094 - 095	Silent movement (slow) on (hold 3s)	
				096 - 097	Silent movement (slow) off (hold 5s)	
				098 - 099	Auto Fan (hold 3s)	
				100 - 101	Fan Off (hold 3s)	
102 - 103	Fan Constant Low (hold 3s)					
104 - 105	Fan Constant Mid (hold 3s)					
106 - 107	Fan Constant High (hold 3s)					
108 - 119	No function					
120 - 121	PWM 1 (650 Hz) (hold 3s)					

21	24	28	Device settings (please read remark 1*)	122 - 123	PWM 2 (1530 Hz) (hold 3s)	Device Settings
				124 - 125	PWM 3 (3600 Hz) (hold 3s)	
				126 - 127	PWM 4 (12000 Hz) (hold 3s)	
				128 - 129	PWM 5 (18900 Hz) (hold 3s)	
				130 - 131	PWM 6 (25000 Hz) (hold 3s)	
				132 - 139	No function	
				140 - 141	Display always On (hold 3s)	
				142 - 143	Display off after 20s (hold 3s)	
				144 - 147	No function	
				148 - 149	Colour Wheel snap (hold 3s)	
				150 - 151	Colour Wheel scroll (hold 3s)	
				152 - 153	Gobo Wheels snap (hold 3s)	
				154 - 155	Gobo Wheels scroll (hold 3s)	
				156 - 163	No function	
				164 - 165	Dimmer Curve Linear (hold 3s)	
				166 - 167	Dimmer Curve Exponential (hold 3s)	
				168 - 169	Dimmer Curve Logarithmic (hold 3s)	
				170 - 171	Dimmer Curve S-Curve (hold 3s)	
				172 - 209	No function	
				210 - 211	Colourwheel Pos shortest way (hold 3s)	
				212 - 213	Colourwheel Pos Clockwise (hold 3s)	
				214 - 215	Gobowheel Pos shortest way (hold 3s)	
				216 - 217	Gobowheel Pos Clockwise (hold 3s)	
				218 - 221	No function	
				222 - 223	Reset Pan / Tilt (hold 3s)	
				224 - 233	No function	
				234 - 235	Reset Head complete (hold 3s)	
				236 - 237	Reset all functions (hold 3s)	
238 - 241	No function					
242 - 243	Load Factory Default (except DMX Address & Mode) (hold 3s)					
244 - 245	Load User Default A (except DMX Address & Mode) (hold 3s)					
246 - 247	Load User Default B (except DMX Address & Mode) (hold 3s)					

21	24	28	Device settings (please read remark 1*)	248	-	249	Load User Default C (except DMX Address & Mode (hold 3s)	Device Settings
				250	-	255	No function	

EN: (1*) After the adjustments have been made, set the value to 000 to avoid disturbance by endless function call.

DE: (1*) Nachdem die Einstellungen vorgenommen wurden, stellen Sie den Wert auf 000 ein, um Störungen durch endlosen Funktionsaufruf zu vermeiden.

FR: (1*) Une fois les ajustements effectués, réglez la valeur sur 000 pour éviter les perturbations par appel de fonction sans fin.

ES: (1*) Después de realizar los ajustes, establezca el valor en 000 para evitar perturbaciones mediante una llamada de función sin fin.

PL: (1*) Po dokonaniu ustawień ustaw wartość na 000, aby uniknąć zakłóceń przez niekończące się wywołanie funkcji.

IT: (1*) Dopo aver effettuato le regolazioni, impostare il valore su 000 per evitare disturbi causati da una chiamata a funzione infinita.

ENGLISH

DEUTSCH

FRANCAIS

ESPAÑOL

POLSKI

ITALIANO

DMX



CAMEOLIGHT.COM

Adam Hall GmbH

Adam-Hall-Str. 1 | 61267 Neu-Anspach | Germany

Phone: +49 6081 9419-0 | adamhall.com

Adam Hall Ltd. | The Seedbed Business Centre | SS3 9QY Essex | United Kingdom



REV: 01