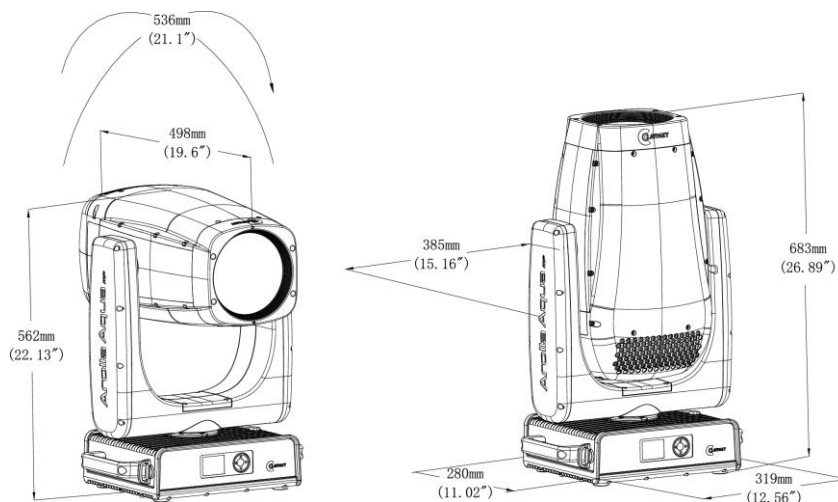


MODEL: AROLLA AQUA M-LT

CODE: CL3043

January 22, 2026

WARNING: THE INFORMATION IN THIS DOCUMENT IS SUBJECT TO CHANGE WITHOUT NOTICE AND SHOULD NOT BE CONSTRUED AS A COMMITMENT BY CLAY PAKY S.R.L.



LIGHT SOURCE:

- Power:** • 550W
- Color temperature:** • 6500 K ± 300K
- CRI:** • 70+
- LED life expectancy:** • 20.000 Hrs L70*

* It may vary depending on various factors, such as the type of use and environment

PHOTOMETRIC DATA:

- Zoom range:** • 3.8° - 52°
- Lm output:** • 28.000 Lm (integrating sphere)
- Front lens:** • Ø 160 mm
- Optical syt.:** • High efficiency

CONTROL & CONNECTIONS:

- Personalities:** • 2 modes:
 - **Basic:** 44 channels
 - **Standard:** 54 channels
- Protocols:** • DMX, Art-Net, sACN, RDM
• CRMX (Timo FX) (Lumen Radio)
- Connectors:** • Locking 5 pin XLR IN/OUT
• RJ45 IN/OUT
- Power con.:** • PowerCon True1 IN/OUT
- Web server:** • Built-in
- CloudIO:** • Fully compatible

DYNAMIC EFFECTS:

- Colors:**
 - Linear CMY/CTO color mixing
 - Linear CTO filter 3000K – 6500K
 - 1 color wheel with 6 dichroic colors, tint channel
- Framing Systems:**
 - 4 blades (± 35° inclination) with ± 60° rotation of the full system
 - "Total Curtain" effect allowing full blackout with each single blade
 - Built-in macros
- Gobos:**
 - 1 static gobo wheel with 9 dichroic fixed interchangeable gobos
 - 1 rotating gobo wheel with 7 interchangeable glass gobos
- Frost:**
 - 2 frost filters: 1 heavy and one soft
- Rotating effects:**
 - 1 four-facet conical prism with rotation in both directions at variable speed
 - 1 four-facet linear prism with rotation in both directions at variable speed
 - 1 aluminium animation disc with continuous rotation in both directions at variable speed movement
- Iris:**
 - 15 edges 3% - 100% linear adjustment
 - Motorized with variable pulse effects
- Movement:**
 - Tilt: endless
 - Pan: endless
 - Absolute position
 - Automatic repositioning
 - Tilt brake
 - Mechanical Pan/Tilt lock for safe transportation and maintenance
- Beam:**
 - Motorized zoom and focus
- Dimmer / Shutter:**
 - High resolution electronic dimmer - 24 bit, 5 curves

- High speed electronic shutter and strobe

HARDWARE & SOFTWARE:

- Long life self-charging battery
- Display graphic LCD backlit B/W display
- Firmware upload from another fixture
- Firmware upgrade via Web Server
- Diagnostic
- DMX monitoring
- Remote access through RDM

HOUSING:

- Magnesium and steel structure with plastic covers
- Two side handles for transportation
- IP66 protection rate
- Working in any position
- Hanging system: with fast-lock Omega clamps (1/4 turn on the base)
- Optional safety chain

ELECTRICAL:

- Operating voltage:** • 100-240V, 50/60 Hz
- Power Supply:** • Electronic auto range with active PFC
- MAX power consumption:** • Max 950W (9,9A) @ 100V - 950W (4,0A) @ 240V

THERMAL SPECIFICATION:

- MAX Ambient temperature:** • 45°C (113°F)
- Min Ambient Temperature:** • -20°C (-4°F)

SAFETY SPECIFICATIONS:

- Min. dist. of illum. objs:** • 4,5 m
- Min. dist. from flamm. mat.:** • 0,2 m (8")
- Protections:**
- Thermally protected power supply (overheating and cooling failure)
 - Forced ventilation with axial fans
 - Battery fuse: T6.3A 250V
 - Main fuse: 10A 250V

COMPLIANCE:

CE Marking (in conformity to the following):

- 2014/53/EU - Radio Equipment Directive (RED)
- 2011/65/EU - Restriction of the use of certain hazardous substances (RoHS)
- 2009/125/EC - EcoDesign requirements for Energy-related Products (ErP)

UKCA conforms to UK regulations:

- S.I. 2017 N.1206
- S.I. 2012 N.3032
- S.I. 2021 N.745

cETLus LISTED:

- UL 1573:2003
- CSA C22.2 N.166:2015

PACKAGING:

- Carton box + Polystyrene
- Carton box + Foam shell
- Flight case + Foam shell

WEIGHT & SIZES:

- Weight:** • 30.5 Kg (67,25 lbs)

- Base dim.s:** • 385 x 280 mm
• 15,16 x 11,0 In

- Height with vert. head (h):** • 683 mm
• 26,9 In

ACCESSORIES:

- Omega bracket:** • 2x183102/805 (Included)

- ETL Power:** • CAB02B/802 (Included)*
* Cord 1.5 m (bare end with IP65 PowerConTrue1 conn.)

- Flight case:** • CF1051 (Optional)

- Flight case + foam shell (2 pos.):** • CF1051F (Optional)

- Safety Chain:** • 105041/001 (Optional)

- Clamp:** • C21070 (Optional)